

# **DEMON TORNADO MINI BOWSER RANGE**

**Tornado P1 Mini Bowser**

**Tornado P2 Mini Bowser**

**Tornado P4 Mini Bowser**

**Tornado D1ES Mini Bowser**

**Tornado Electron Mini Bowser**

**Tornado Storm 1 Mini Bowser**

**Including electric start variants and bowser washers**

**Declaration of Conformity  
(E.H.S.R.)**

**We, Demon International Limited of Abbots Close, Lee Mill Industrial Estate, Ivybridge, Devon, PL21 9GA, declare that this machine must be operated in accordance with the operation and safety instructions as supplied with this machine.**

**This machine is manufactured in accordance with the following standards and recommendations.**

**HSE PVB PM29 - BS5415 Part - BS5415 Section 2.4 1986**

**This instruction manual is relevant only to the following machine and will not be kept updated unless specifically requested by the customer. However, any changes to the operating procedure or changes which might affect the safety of this machine will be notified to the registered owner**

<b>Machine Type</b>	
<b>Serial Number</b>	
<b>Working Pressure</b>	
<b>Date of Supply</b>	

## Technical Specifications

### **Tornado P1 Mini Bowser**

Engine	Honda GX120
Pump	RSV3G25
Pressure	1500 PSI
Flow	9 lpm
Nozzle	25045
Gearbox	None
Unloader	Integrated
Pump Oil	10W/40
Gearbox Oil	N/A

### **Tornado P4 Mini Bowser**

Engine	Honda GX340
Pump	RK15-20H
Pressure	2900 PSI / 200 Bar
Flow	15 lpm
Nozzle	2505
Gearbox	2:1 Reduction
Unloader	Gymatic3B
Pump Oil	10W/40
Gearbox Oil	EP90

### **Tornado P2 Mini Bowser**

Engine	Honda GX200
Pump	XT13-12
Pressure	2200 PSI
Flow	13 lpm
Nozzle	25045
Gearbox	2:1 Reduction
Unloader	ARMM4B
Pump Oil	10W/40
Gearbox Oil	EP90

### **Tornado D1ES Mini Bowser**

Engine	Yanmar L70
Pump	XT13-12
Pressure	2200 PSI
Flow	13 lpm
Nozzle	2505
Gearbox	2:1 Reduction
Unloader	ARMM4B
Pump Oil	10W/40
Gearbox	EP90

### **Tornado Storm 1 Mini Bowser**

Pump	XT11-14
Pressure	1500 PSI / 100 Bar
Flow Rate	11 lpm
Max by pass setting	120 bar /1750 psi
Nozzle	25045
Pump oil	10W/40
Unloader valve	ARMM4B/C
Noise	

Motor	MTR00100
Motor output	P1 2.2KW
Motor input	P2 3.0KW
Max current	12.5 amps
Voltage	230v + or—10V
Insulation	Class F
Duty Cycle	100%
Protection	IP54

### **Tornado Electron Mini Bowser**

Motor	24DC	Nozzle	15045
Pump	XT11-14	Unloader	ARMM4B/C
Pressure	1200 PSI	Flow	11 lpm
Pump oil	10W/40		
Battery	2 x 140 amp/hour AGM sealed batteries		
Microprocessor Controlled automatic battery charger	24V 12.5 AMP		

**WE RECOMMEND ONLY USING A 15 MTR HOSE WITH THE P1 MINI BOWSER**

## **Important—New P2 Machines**

Each new P2 machine will be set at 2000psi as opposed to 2200psi until the machine has been run for approx 2-3 hours continuously. Once the machine has been run then the pressure can be adjusted to achieve the maximum 2200psi by turning the pressure regulating valve until its fully open.

## Kits for the Tornado Mini Bowser Range

<b>Machine</b>	<b>P1</b>	<b>P2</b>	<b>P4</b>	<b>D1ES</b>	<b>Electron</b>	<b>Storm 1</b>
Valve Kit	2186	1864	1828	1864	1864	1864
Seal Kit	2189	1874	1857	1874	1874	1874
Piston Kit		2629	2757	2629	2629	2629
Oil Kit	2188	1872	1855	1872	1872	1872
Support Ring Kit			1829			
O Rings	2190					

## FAULT FINDER

FAULT	CAUSE	REMEDY
Machine stops suddenly Or will not start.	Low oil  Flat Battery (Electron )	<ul style="list-style-type: none"> <li>• check and top up oil</li>   <li>Re-charge</li> </ul>
Sudden pressure loss.	Water supply failed. No chemical	Check water supply. Check chemical drum, close valve
Low pressure	HP nozzle worn or unloader set Incorrectly.	Replace HP nozzle. Set unloader to correct setting.
Low pressure with noise and vibration.	Valves worn or blocked. Piston seals worn. Pump sucking air.	Clean/replace as required. Replace. Check water supply pipe and unions.
Pump will not by-pass.	Non return valve dirty or jammed.	Clean or replace.
Water drips from pump box.	Pump seals worn.	Replace.
Oil drips from pump bottom.	Oil seal worn.	Replace.
Oil is milky in colour.	Water ingress through oil filter plug.	Rinse pump out and replace oil.

**IF IN DOUBT ASK—OUR ADVICE IS FREE AND CAN SAVE YOU MONEY**



## MINIMUM SERVICE SCHEDULES

### DAILY CHECK THE FOLLOWING

- a. Oil level - top up as required.
- b. Fuel tank - top up as required.
- c. All hose unions for leaks- replace O rings if leaking.
- d. Hose condition - cuts etc.

### EVERY 500 HOURS OR SIX MONTHS (WHICHEVER COMES FIRST)

- a. Drain and replace pump oil.
- b. Drain and refill fuel tank.
- c. Replace fuel filter.
- d. Clean water filter.
- e. Replace high pressure nozzle.

### EVERY 1000 HOURS OR 12 MONTHS (WHICHEVER COMES FIRST)

- a. Complete 500 hour service.
- b. Replace pump seals.
- c. Replace oil seals.
- d. Check unloading pressure and safety valve pressure and adjust.

The above service schedules are intended as a guide only, actual service times and replacements parts required will vary according to the area and the usage of the machine.

## OPERATING INSTRUCTIONS ENGINE DRIVEN

### SAFETY

I Water at high pressure is dangerous and can cause serious injury. This machine is to be used with great caution.

II Petrol is extremely flammable and explosive under certain conditions.

EXHAUST FUMES CONTAIN CARBON MONOXIDE – Inhalation of such fumes can KILL.

III Diesel is flammable and harmful if swallowed.

A Always refuel in an area which is adequately ventilated.

B **DO NOT** smoke when refueling.

C Avoid overfilling.

D Should fuel be spilt, wipe off any fuel spilt on machine or engine.

E Move the equipment away from the area where fuel has been spilt.

F **DO NOT** refuel when the engine is running.

G **DO NOT** run the engine in an area which has a hazardous or explosive atmosphere.

H **Always** ensure that the fuel cap is secure after refueling.

I Keep the engine at least 3 metres or more away from any other equipment or Building.

J Take care not to get fuel on your clothing. If this happens – **CHANGE** your clothing **IMMEDIATELY**.

**DO NOT** start an engine when clothing has been contaminated with fuel.

K Use only approved type containers for fuel. **DO NOT** stand them out in strong sunlight, keep them in the shade.

- L **Always** ensure that there is a suitable type fire extinguisher available and is within easy access.
- M **DO NOT** leave an engine running unattended, ALWAYS STOP it before leaving the area.
- N **NEVER** point the high pressure spray jet at any person, animal, glass or other Material which may shatter.
- O **PREVENT** any over spray from injuring other people or damaging property.
- P **DO NOT** even try to use a pressure washer on machinery or electrical equipment that is connected in any way to the mains supply ( ALL switches in the OFF position, pull out plugs, if possible remove fuses). Cover or seal electric motors and fittings to prevent entry of water. Before reconnecting electric mains supply check for water penetration.
- Q **DO ALL** you can to keep plugs and sockets in a dry place or covered to prevent entry of water.
- R **ALWAYS** when using this machine:-
- wear safety goggles and helmet or helmet with a visor.
  - Wear waterproof clothing and gloves.
  - Take particular care with detergents and chemicals.
- S **NEVER** attempt to disconnect any hose with pressure in it or allow the hose to be flattened or kinked.
- T **DO NOT** use a high pressure hose from a ladder. Use a platform tower or proper scaffolding.
- U Should the equipment fail to operate, **DO NOT** attempt to rectify or repair, but contact the nearest Service Centre for advice.
- V **Always** rinse your pump out after using sea water.

## PREPARATION

### Water Supply:

- A Ensure there is an adequate water supply either from the mains or a reservoir.
- B Attach water supply hoses to suitable tap or immerse the suction hose with approved suction filter into the reservoir.

NOTE: ONLY CLEAN WATER SHOULD BE USED. THE PUMP MAY BE DAMAGED IF DIRTY OR CONTAMINATED WATER IS ALLOWED TO PASS THROUGH THE PUMP.

### Hoses: Low pressure inlet.

For models up to 13 litres per minute use ½ " bore suction hose or feed pipe.  
For models from 13 litres to 24 litres per minute use ¾" bore suction hose or feed pipe.

### Hoses: High pressure outlet.

For all models use 3/8" RIT or 3/8" R2T hoses.

- A Check the condition of the "O" rings in the ends of the hose.
- B Attach the high pressure hose to the pump connection.
- C Attach the spray gun to opposite ends of the high pressure hose.

## OPERATION

- A Turn on the water supply.
- B Start the engine
- C Direct lance on to surface to be cleaned. Press the lance trigger.

## ELECTRON

- D Fully charge battery 6 - 8 hours or overnight.
- E To start DC Motor turn key and pull switch up.



- D Adjust pressure regulator as required to obtain working pressure if required.
- E NOTE;:The high pressure water will cause the gun to “kick”. Make sure you have a firm grip of gun and lance.
- F On completion of operation stop the engine.
- g. Operate lance trigger
- h. Turn “ OFF” water supply
- i. Release residual pressure in gun and lance by operating trigger.

**When using Cleaning Agents:**

- A. Set machine up as for water.
- B. Connect detergent hose to machine and place filter end into detergent.
- C. On completion of work, flush through hose and gun with clean water to remove any residual detergent.

NOTE: CHEMICAL PICKUP ONLY OPERATES AT PRESSURES BELOW 250PSI.  
OPEN LANCE VALVE FULLY TO OBTAIN THIS PRESSUR

**Electron**

The Electron is fitted with a battery monitor which will indicate the condition of the batteries. The indicator is fitted with an audible alarm which will sound when the battery charge is such as to require re-charging. The battery indicator will show the current condition of the battery by way of a gauge and percentage level. Failure to re-charge the batteries when the alarm indicates may lead to damage and life expectancy of the batteries. Batteries must be re-charged fully using the supplied intelligent 240v charger before using the Electron, after the indicator alarm has been activated.

Electrons can be fitted with a motor/battery programmable controller.

If your Electron has this facility it will monitor the battery discharge and is set to operate when the voltage falls below a pre programmed setting.

When the controller activates the motor will slow its revolutions and the pressure will drop.

At this time it is required that the Electron be re-charged.

The controller is designed to prevent low voltage damage to the battery plates.

The controller is not to be re-set other than by a qualified Demon electronics engineer.

# **PREPARATION TORNADO STORM 1**

## **Water Supply:**

- a. Ensure there is an adequate water supply either from the mains or a reservoir.
- b. Attach water supply hoses to suitable tap or immerse end of hose into reservoir

NOTE: ONLY CLEAN FILTERED WATER SHOULD BE USED

## **Hoses:**

- a. Attach the high pressure hose to the pump connection.
- b. Attach the spray gun to opposite end of the high pressure hose.
- c. Ensure that the regulator nozzle on the end of the spray lance is **CLOSED**

# **OPERATION**

(Check that electric motor is switched '**OFF**')

- a. Plug into a suitable electrical source. (Not an extension lead)
- b. Turn on water supply.
- c. Ensure that the trigger is '**OPEN**' to vent air from the pump.
- d. Switch '**ON**' electric motor.
- e. Open regulator nozzle slightly and direct lance on surface to be cleaned. Press operating trigger.
- f. Adjust pressure regulator as required to obtain working pressure.
- g. NOTE: The high pressure water will cause the gun to 'kick'. Make sure you have a firm grip of the gun and lance.
- h. On completion of the operation switch '**OFF**' electric motor and unplug from power supply.
- i. Turn '**OFF**' water supply.
- j. Release residual pressure in gun and lance by operating trigger.

# **OPERATING HINTS TORNADO STORM 1**

- a. During very cold weather it is most important to protect the machine against freezing. DO NOT operate machine should it become frozen. Move it to a warm area and allow to thaw naturally.
- b. Check all hoses and couplings for leaks, tighten where necessary.

## **WHEN USING CLEANING AGENTS**

- a. Set machine up for water only.
- b. Connect detergent hose to machine and place filter end into detergent reservoir. Unscrew the adjustable nozzle on the end of the lance to reduce the pressure to 500psi. The chemical will now be automatically injected into the water.
- c. On completion of work, flush through hose and gun with clean water to remove any residual detergent.

## **SERVICING**

The Storm range require little maintenance apart from checking the oil level at least every week and changing the oil should it turn white or it is six months old. If the oil turns white it is due only to water entering the pump via the dipstick, which has a breather hole drilled through. The design of the pump does not allow water from the pump to gain access to the gearbox drive.

Should the performance be reduced to a level where the jet is ineffective contact the service department to ascertain the correct remedial repair work.

If using sea water flush after use with fresh water and spray any 3 way valves with silicone spray to lubricate valve.

# OPERATING INSTRUCTIONS STORM 1

## SAFETY

- i. **A Residual Current Device (R.C.D.)** or **Earth Leakage Trip** must be used with this machine.
- ii. **Water at high pressure is dangerous and can cause serious injury. This machine is to be used with great caution.**
  - a. **NEVER** point the high pressure spray jet at any person, animal, glass or any other material which may shatter.
  - b. **PREVENT** any over-spray from injuring other people or damaging property.
  - c. **DO NOT** even try to use a pressure washer on machinery or electrical equipment that is connected in any way to the mains supply. (all switches in the off position, pull out all plugs and if possible remove fuses). Cover or seal electric motors and fittings to prevent entry of water.
  - d. **ALWAYS** when using machine:-
    - wear safety goggles and helmet or helmet with a visor.
    - wear waterproof clothing and gloves.
    - take particular care with detergents and chemicals.
  - e. **NEVER** attempt to disconnect any hose with pressure in it or allow the hose to be flattened or kinked.
  - f. **DO NOT** use a high pressure hose from a ladder. Use a platform tower or proper scaffolding.
  - g. **CHECK** that your supply voltage agrees with that shown on the machine.
  - h. Demon do not recommend the use of an extension lead using an extension lead will result in switch failure or motor damage. Demon strongly recommend the use of extension hoses as opposed to extension leads. Warranty claims for damaged switches and motors used on extension leads will not be allowed. Ask the service department if in doubt.
  - I. **DO ALL** you can to keep plugs and sockets in a dry place or covered to prevent entry of water.
  - j. Where a cable is found to be damaged, the power must be switched off and the plug removed before attempting to remove the equipment.

## Step by Step Operating Manual Demon Mini-Bowser

How to start the  
Mini-Bowser



1



Check gearbox oil and  
replenish as required.

2



Check pump oil and  
replenish as required

3



Check engine oil and  
replenish as required.

4



Check petrol and  
replenish as required.

5



Check filter inside tank is  
not blocked. Clean as  
required.

6



Fill the tank with water.

7



Attach trigger to high  
pressure hose.

8



Turn engine switch to  
'on' position.

9



Turn fuel to 'on'  
position

10



If this is first use of the  
day then switch the  
choke to the 'on' position

11



Pull the recoil to start.

## Step by Step Operating Manual Demon Mini-Bowser

12



Once the machine is running gently turn the choke to 'off' position

13



To switch off turn the engine button to the 'off' position.

14



Release any pressure in hose by squeezing trigger and disconnect hoses from machine.

15



To transport – ensure fuel is to the 'off' position

Model	Max operating Pressure	Operating Range	Nozzle
P1	1500 psi	1000-1500 psi	045
P2	2200 psi	1500-2200 psi	045

### Important - New P2 machines

Each new P2 machine will be set at 2000psi as opposed to 2200psi until the machine has been run for approx 2-3 hours continuously.

Once the machine has been run then the pressure can be adjusted to achieve the maximum 2200psi by turning the pressure regulating valve until its fully open.

# Step by Step Operating Manual Demon Storm 1 & 2

How to start the Storm 1 & 2



1



Check oil using sight glass or dipstick. Replenish as required.

2



Connect to mains water supply or a suction hose and filter.

3



Connect high pressure hose to machine.

4



Attach trigger to high pressure hose.

5



Unwind power lead and plug into mains. NB not an extension lead

6



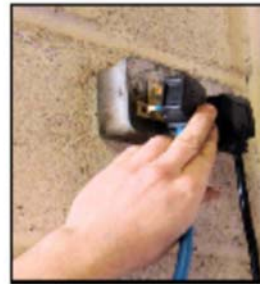
Switch the machine on and begin operating.

7



When finished press switch too off.

8



Unplug and rewind power lead.

9



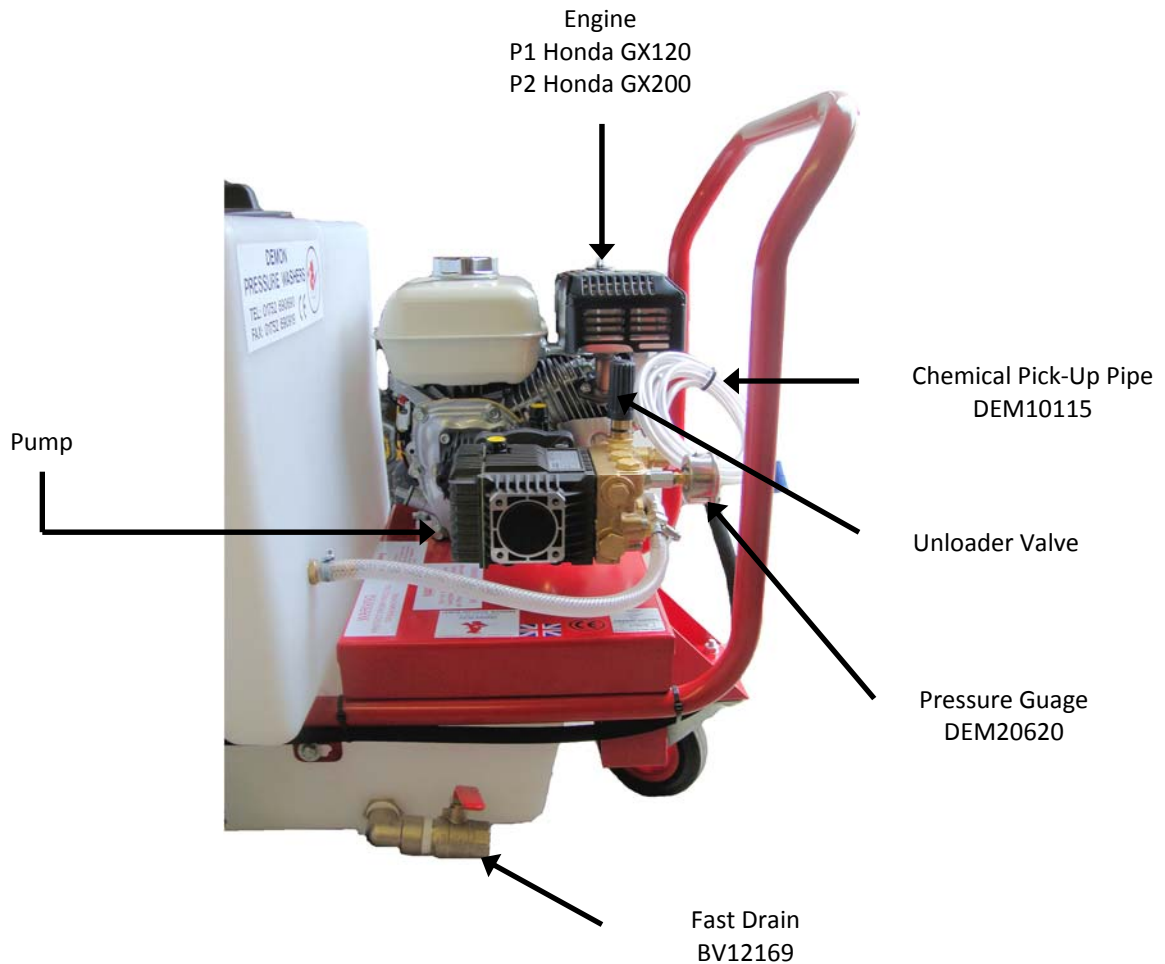
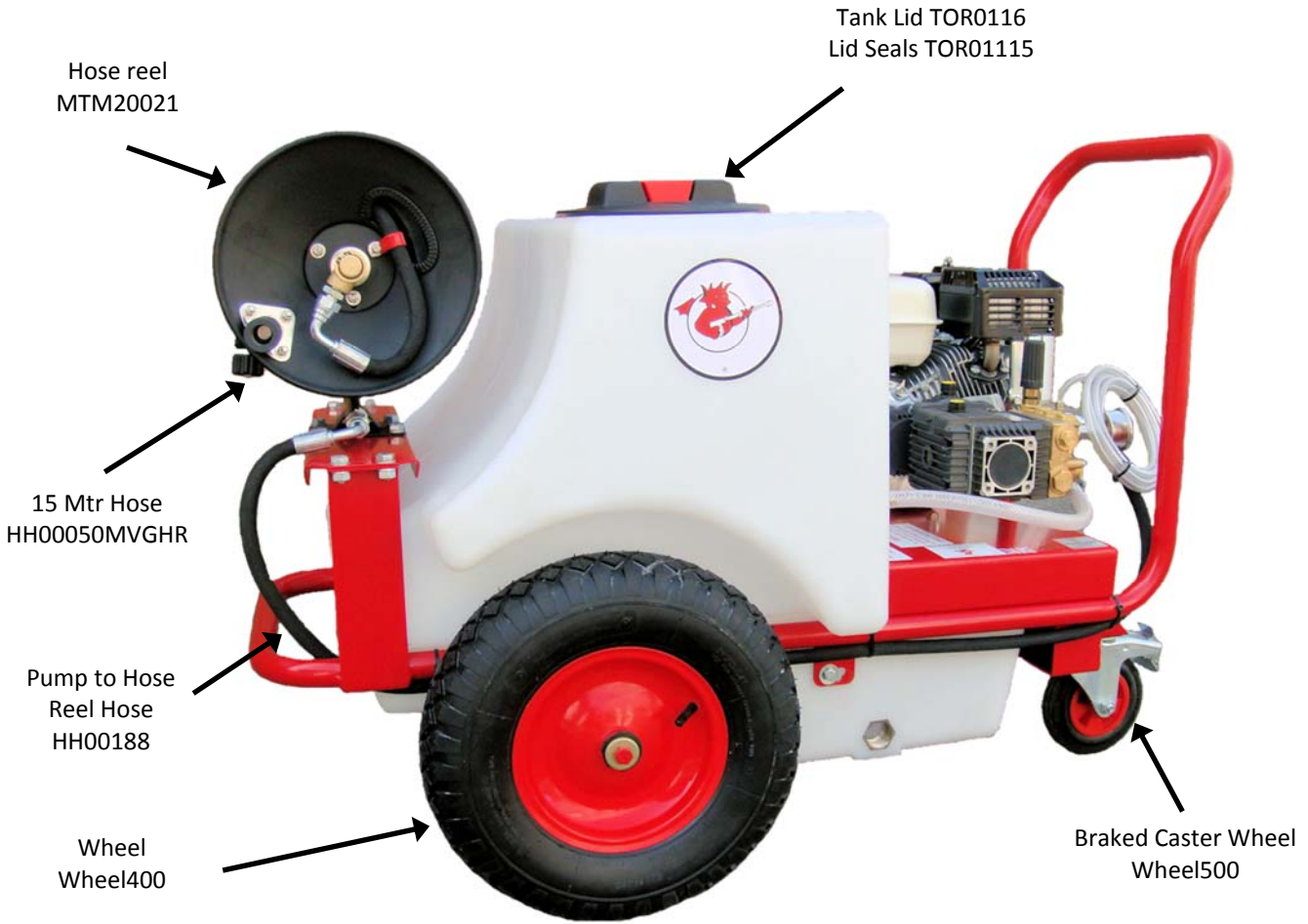
Disconnect high pressure hose from machine

10



Disconnect from mains water supply.

# Tornado Mini-Bowser - General Arrangement





## Demon Storm 1 Cold Water Range—General Arrangement

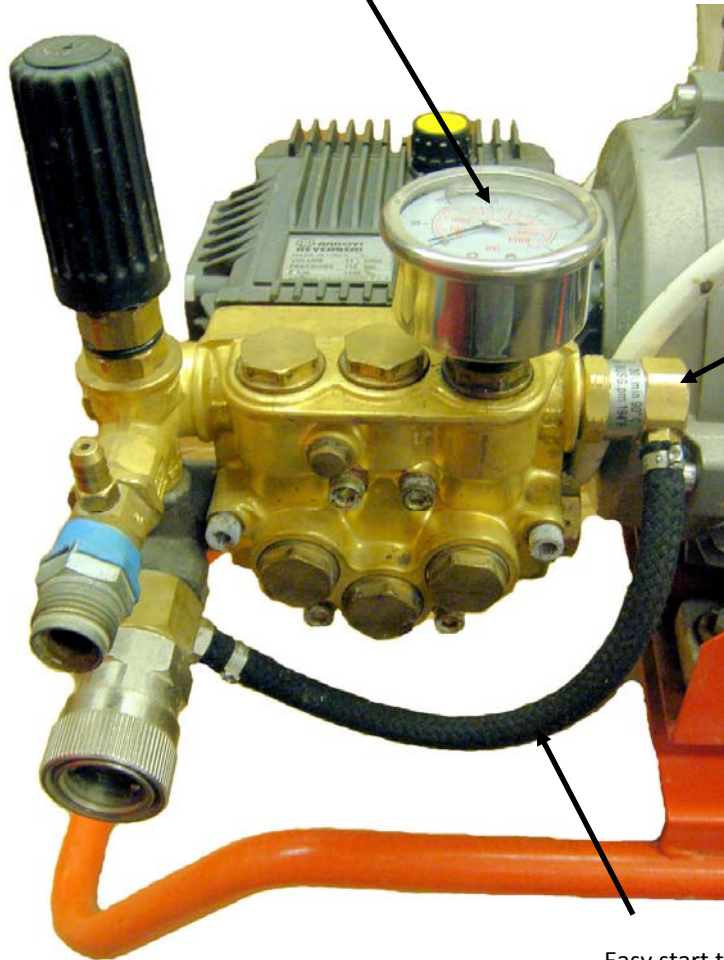
Cover DEM20181



Inlet Fittings DEM20441 3/8 X 1/2" Hose tail  
MTM0012FF03 Brass elbow 1/2FF

## Demon Storm 1—Easy Start Valve

Gauge DEM20621



Easy Start Valve  
MTM39001

Easy start to water inlet pipe  
DEM10321

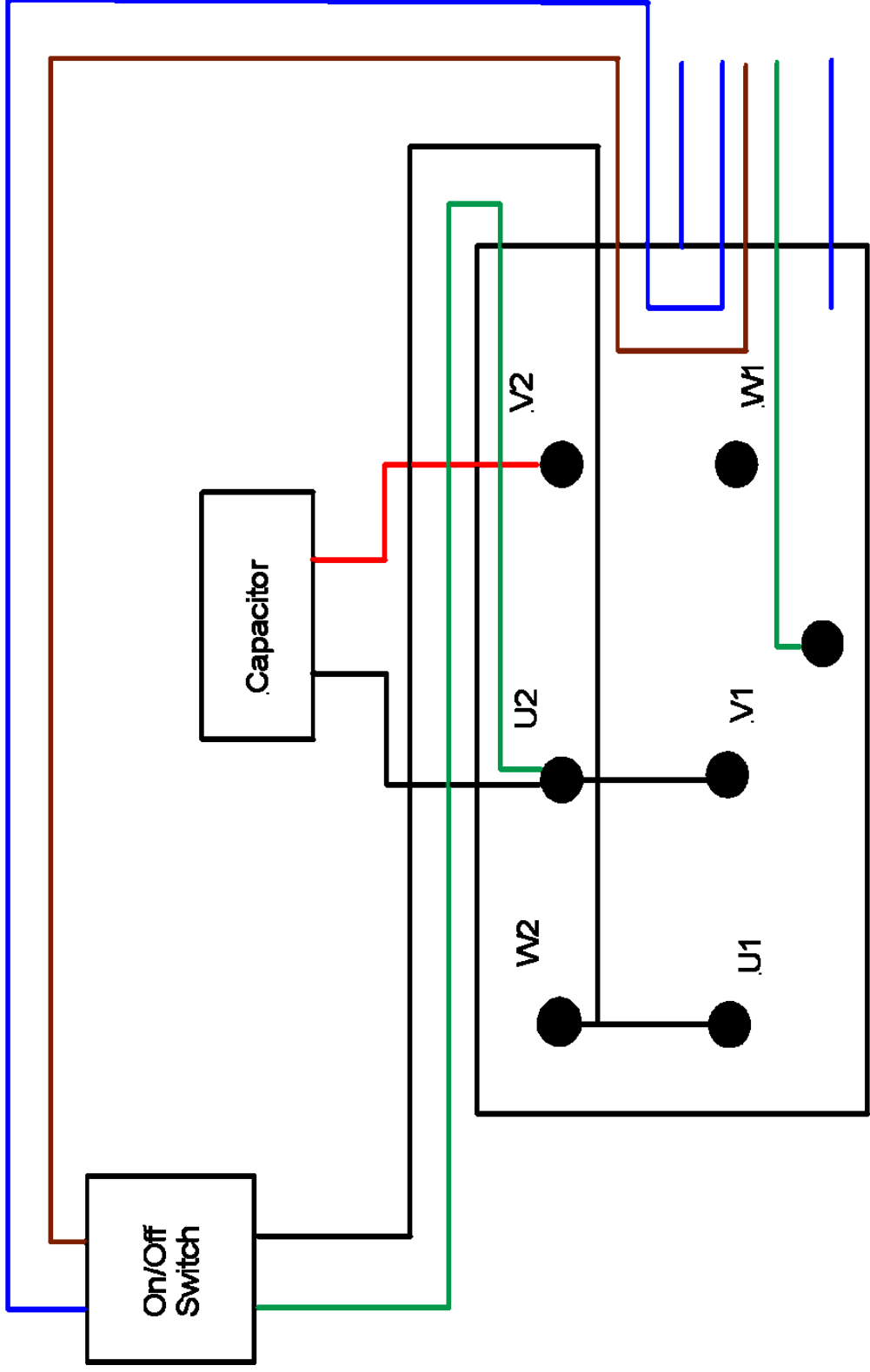
## Tornado Electron - General Arrangement



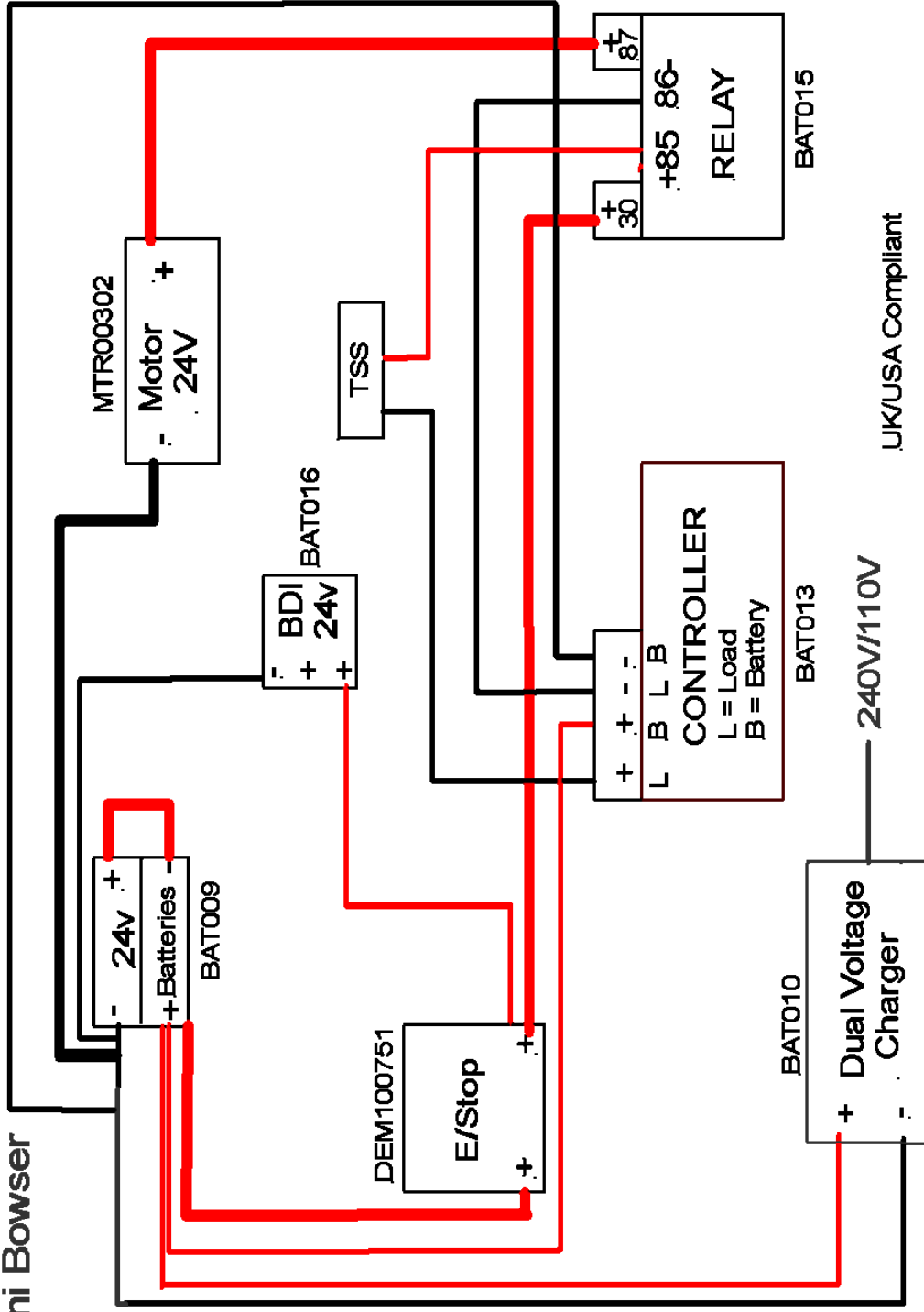
Lockable Emergency  
Stop DEM 100751



Storm 240V



# Electron Mini Bowser



UK/USA Compliant

## WARRANTY

This warranty covers the cost of all replacement parts and labour charges incurred, but does not cover the cost of transport or carriage. It is the owners responsibility to return the machine to a service depot or pay the travelling expenses of a engineer to attend. Demon Internationals decision in warranty matters is final and binding.

Demon International Ltd, undertake to repair or replace at their discretion, any component which may fail due to a manufacturing fault within a period of 12months from the date of purchase, provided that any fault or damage was not sustained by;

- A Lack of regular and proper maintenance, user negligence, misuse, or damage caused by ice or frost.
- B The effects of contaminated fuel or water, the use of non-approved chemicals, or an insufficient or unsuitable electrical supply.
- C The effects of un-authorized modification and use.
- D Compression damage to high pressure hose. ( Hoses are warranted for one month only)
- E Worn out items considered wear and tear.

Parts which may or may not wear out during the first year and which are considered service items which will need replacing from time to time: High pressure nozzle, lance, trigger, hoses, fuel nozzle, fuel filter, piston seals, valves, unloader seats and seals, water filter, non-return valve, chemical barbs, chemical pipes, and pump oil seals.

It is the owners responsibility to ensure the pressure washer is kept in a safe and suitable environment and any faults reported by operatives to be rectified at the earliest possible date.

It is the operators responsibility to check the pressure washer for any faults and report them immediately, and to use the pressure washer in accordance with the manufacturers specifications and guidelines.

Demon International Ltd, undertake to use the highest quality components available during manufacture, but can not be held responsible for any undue consequence arising from the use of their pressure washers.

This warranty is given the original purchaser only and is not transferable without the fully authorized and written consent of Demon International Ltd.

The 3 Year Structural Warranty refers to all Demon fabricated structural parts, but this does exclude the Boiler coil.

## Warranty Procedure

### End Users

#### **If your machine develops a problem:**

1. Phone Demon for advice with the model and serial number to hand.
2. Describe fully the problem as best you can.
3. If the problem cannot be resolved over the phone then the machine can be booked in for repair and if the faults are covered by the warranty the repair will be carried out free of charge.
4. If you cannot bring the machine in for repair then we will despatch an engineer. If the fault is covered by the warranty then we will not charge for labour or spares used, however the transport charge will be payable whether or not the repair is warranty.

### Hire Centres and Dealers

#### **If your machine develops a problem:**

1. Phone Demon for advice with the model and serial number to hand.
2. Describe fully the problem.
3. We will advise you on the best course of action, however if parts are required you must raise a purchase order number to cover the parts. When the parts are fitted they must be returned for examination before a credit note is issued.
4. If you are unable to repair the machine then we will despatch an engineer to carry out the repair. We will need a purchase order to cover the cost of transport to and from the site and for parts and labour if the repair is not covered under the warranty.
5. If required Demon will arrange for a carrier to collect a damaged machine, if the warranty claim is valid we will pay this cost, if not it will be charged to the customer.

For parts warranty ring Demon and request a warranty claim form faxed to you. This form must accompany any returned parts.

### Notes:

You will not invalidate the warranty by investigating faults and repairing them yourself providing you follow our advice. Hire Centres and Dealers are expected to carry out all repairs themselves with Demon crediting faulty parts upon receipt and inspection.

**Spare parts fitted to machines are guaranteed for 1 month only or the remainder of the warranty period whichever is longer.**



## Nozzles - you can't get pressure without one!

### How do I know which nozzle I have?

Look at this part of the nozzle and it will have a four or five digit number which gives the angle of spray as the first two digits. The next two or three numbers are the size. (i.e. 25045 is 25° spray angle with 045 size aperture.)



Pressure starts and ends at the nozzle. The volume of water pushed down the hose and forced through the small hole determines the pressure on the gauge. Try taking the nozzle out and then pulling the trigger. You get virtually no pressure registering on the gauge.

The golden rule when diagnosing a loss of pressure is **to start at the nozzle** and work back to the pump. Example: a new Typhoon is delivered to your branch and is left in the workshop for a few days until a hire comes up. The lance gets pinched to go out with one of your other pressure washers so you search around for something to use and find a lance that will do. Unfortunately it came from a petrol pressure washer and now the Typhoon will only do 1500psi. It must be Demon's fault. Get them to dash out and sort it out, must be warranty! No its the nozzle. An 055 fitted to a petrol pressure washer will only give 1500psi when used on a Typhoon. (This has happened!)

Example: I can't check that the right nozzle is fitted because the numbers are worn away. If you can't read the number then the nozzle is old a probably worn out. Fit a new one and see what pressure you get. (All the lances are now colour coded)

Model	Flow	Pressure	Nozzle	Colour
Storm 1 & 2	11 litres	1500 psi	25045	Blue
Storm Freestanding/ Wallmounted 1	11 litres	1500 psi	25045	Blue
Storm Freestanding/ Wallmounted 4	15 litres	2900 psi	2505	Red
Storm 500	15 litres	7000 psi	2505	Red
Tempest 1 & 3 Auto inc Cabinet	11 litres	1500 psi	25045	Blue
Tempest 4 Auto inc Cabinet	15 litres	2900 psi	2505	Red
Hurricane P1	11 litres	1500 psi	25045	Blue
Tornado & Hurricane P2	13 litres	2200 psi	25045	Blue
Tornado & Hurricane P4 & D1ES	15 litres	2900 psi	2505	Red
Mini-Bowser P1	11 Litres	1500 psi	25045	Blue
Mini-Bowser P2	13 Litres	2200 psi	25045	Blue
Typhoon 1, 2, P4 & Evolution Models	15 litres	2900 psi	2505	Red

**Demon Technical Support 01752 - 690690**



## Lance and Machine Colour Codes

Part Number	Description	Storm	Wall Mounted	Hurricane	Tempest Inc Cabinet	Typhoon	Evolution	Tornado & Mini-Bowser
DEM10031B	Cold Water Lance 045 Blue	Storm 1 & 2, FS1	WM1	P1 & P2	N/A	N/A	N/A	P1 & P2
DEM10031R	Cold Water Lance 05 Red	FS4	WM4	P4 & D1	N/A	N/A	N/A	P4 & D1
DEM10032B	Hot Water Lance 045 Blue	N/A	N/A	N/A	Tempest 1, 3 & 4 (13.17 pump)	N/A	N/A	N/A
DEM10032R	Hot Water Lance 05 Red	N/A	N/A	N/A	Tempest 4 (15.20 Pump)	Typhoon 1, 2 & P4	Evo1 & Evo 2	N/A



## I can't get the pressure to where it used to be – where do I start?



Well by now you should know to check the nozzle - assuming that is correct and you still have no or low pressure the golden rule is to connect the pump to the mains water supply - whichever machine you are testing start with a good mains feed.

**1. With the gun and lance connected turn the tap on - can you see a leak?** If so there is your problem, if water can leak out air can get in and the pump won't produce pressure - simple as that. (Leaks from underneath the pump are either worn seals or a cracked piston - strip to find out which.)

**Remedy: Fix leak or replace seals or piston.**

**2. Check enough flow of water can get into the pump.** Make sure all the filters are clean. The new Tempest hot water machines have a fine filter which will remove most solids. All Demon machines are now double filtered. Have you checked both of them?

**Remedy: Strip and inspect filters.**

**3. There are no leak's what next?** With the pump switched off pull the trigger, water will spray out. Keeping the trigger pulled switch the pump on, if the water spray does not improve the valves are the fault. Either worn out or dirty. Strip and inspect. (The high pressure hose will also vibrate on the ground.)

**Remedy: Replace or clean valves.**

**4. The valves are OK there are no leaks but it still won't get up to pressure – what next?** The unloader valve piston and seat are damaged or worn allowing some of the water to circulate around the cylinder head - strip and inspect, you will see any damage.

**Remedy: Strip unloader and inspect - replace damaged parts.**

**5. My cold water pressure washer does not feel as powerful as it used to be but the pressure gauge shows the correct pressure. What causes this?** The chemical pick-up has a nozzle of 1.8mm or 2.0mm size and can get partially blocked. This will allow some but not all of the water to flow to the lance.

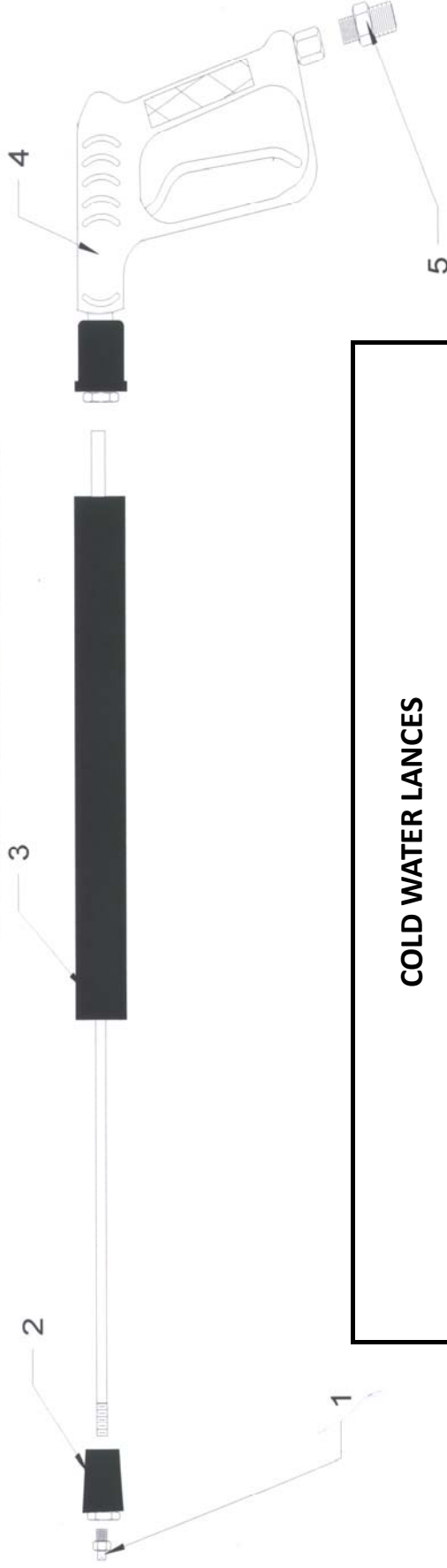
**Remedy: Strip and remove the blockage.**

**6. The pressure remains high even when I let go of the trigger and the engine or motor is struggling or stalling.** The non- return valve in the unloader is damaged or jammed.

**Remedy: Strip and clean or replace.**

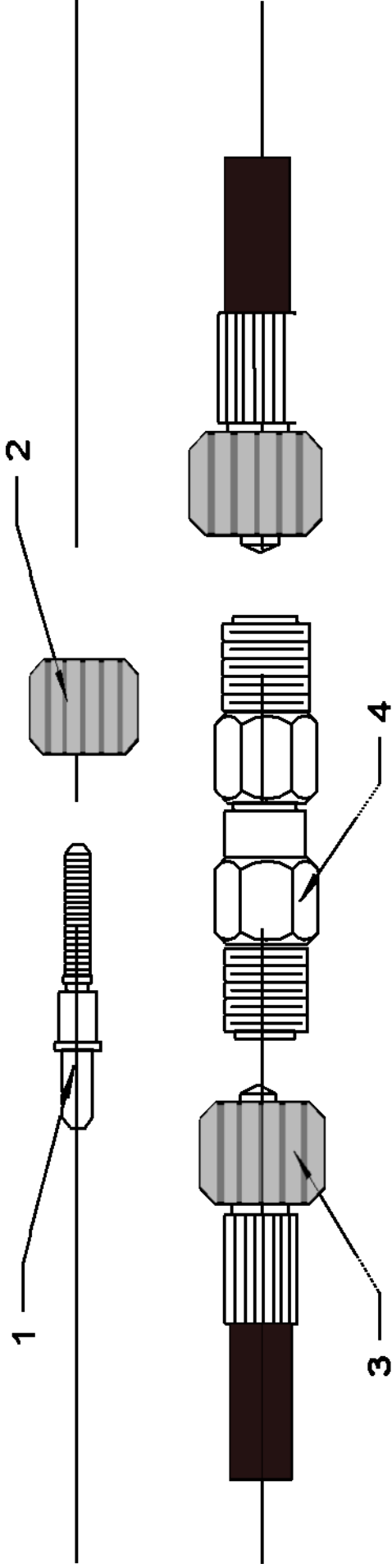
**Demon Technical Support 01752 - 690690**

# Cold Water Lance



COLD WATER LANCES			
Pos	Part No	Description	Qty
1	N26001/1504	Nozzle P1	1
1	N26001/15045	Nozzle P2	1
1	N26001/1505	Nozzle P4 & D1ES	1
2	MTM90040	Adjustable Nozzle	1
3	DEM10031B	QR Lamce P2	1
3	DEM10031Y	QR Lance P1	1
3	DEM10031R	QR Lance P4 & D1ES	1
4	DEM10030	QR Trigger	1
5	MTM70012	MVG Coupling	1

# High Pressure Hoses



1.	Hose Insert	MV00490 (items 1 & 2)
2.	Nut	
3.	High Pressure Hose	HH00030MVG
4.	Hose Joiner	MV00500
<b>Alternative Hose Lengths</b>		
	15 Metre	HH00050MVG
	30 Metre	HH00100MVG

# RSV

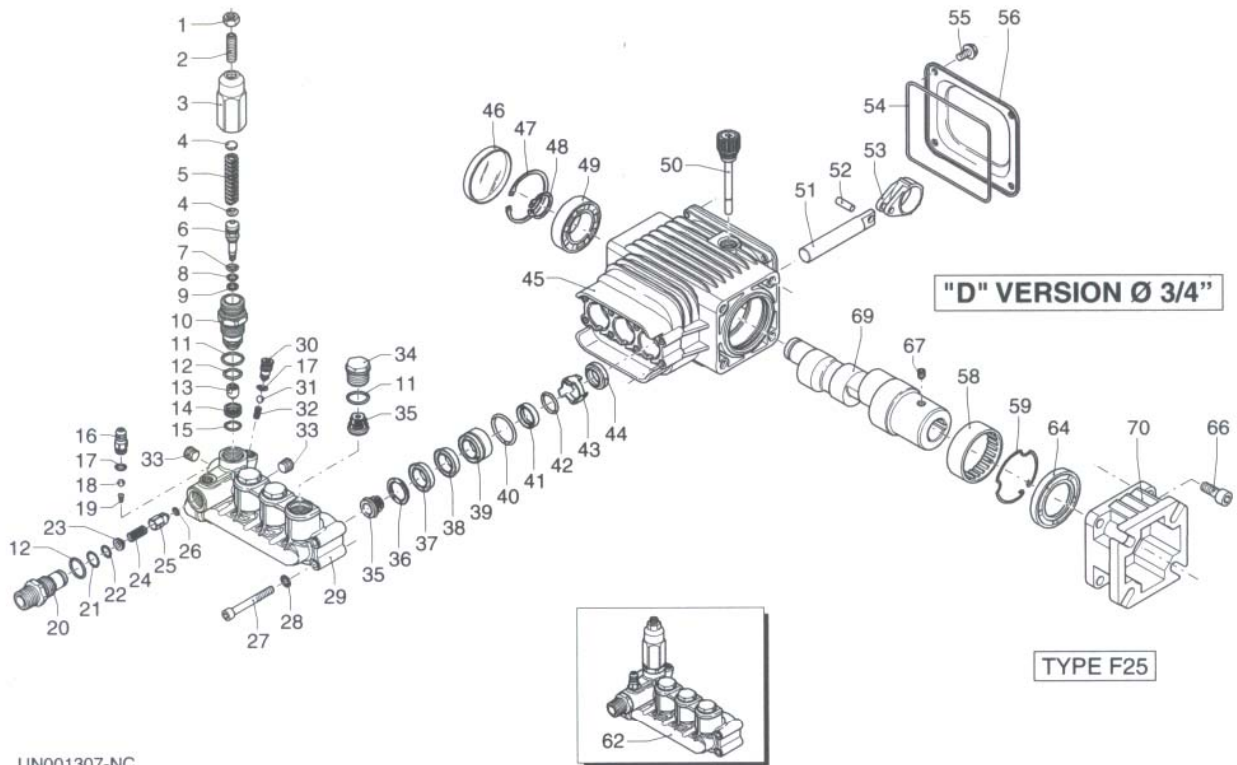
VERSION

# D

# 3400

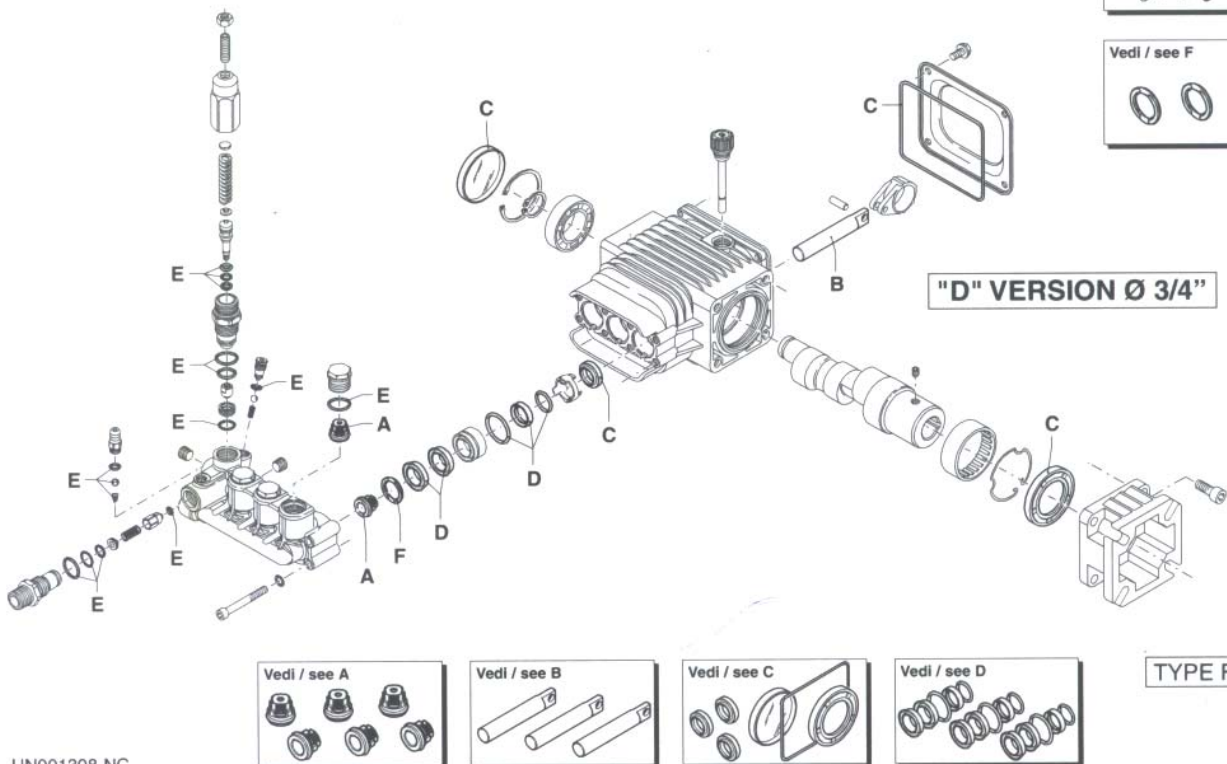
RPM

# Ø 3/4"



UN001307-NC

## KIT RICAMBI / PART KITS



UN001308-NC

# RSV

NOISE

# D 3400

RPM

# Ø 3/4"



Pos.	Cod. Part n°	Denominazione	Description	Q.tà Q.ty	Note Vedi / See	Pos.	Cod. Part n°	Denominazione	Description	Q.tà Q.ty	Note Vedi / See
1	1980300	Dado M 6	Nut	1		43	2760310	Distanziale	Spacer	3	
2	2760420	Grano M 6X12	Grub screw	1		44	1260460	Anello tenuta	Seal	3	
3	1980540	Inserto manopola	Handle insert	1		45	2760010	Corpo pompa	Pump body	1	
4	1980220	Piattello molla	Plate spring	2		46	1266740	Cappello chiuso	Cap	1	
5	2760410	Molla	Spring	1		47	1260790	Anello seeger Øi 52	Circlip	1	
6	2760400	Pistone valvola	Valve piston	1		48	1780550	Anello elastico	Snap ring	1	
7	2260100	OR Ø 6,02x2,62	O-Ring	1		49	2760340	Cuscinetto	Bearing	1	
8	660190	OR Ø 6,07x1,78	O-Ring	1		50	880130	Tappo olio	Oil cap	1	
9	2760210	Anello antiestrusione	Ring	1		51	2760040	Pistone	Piston	3	
10	2760050	Guida pistone	Piston guide	1		52	1780050	Spinotto	Piston pin	3	
11	1200690	OR Ø 15,6x1,78	O-Ring	4		53	1780040	Biella alluminio	Alluminium con rod	3	
12	394280	OR Ø 12,42x1,78	O-Ring	2		54	2760280	OR Ø 101,27x2,62	O-Ring	1	
13	2260070	Otturatore by pass	By-pass jet	1		55	802190	Vite TE M 6x12	Screw	4	
14	2760090	Sede	Seat	1		56	2760110	Coperchio posteriore	Rear cover	1	
15	770140	OR Ø 11,11x1,78	O-Ring	1		58	2760350	Cuscinetto	Bearing	1	
16	1982520	Portagomma	Hose tail	1		59	1321080	Anello elastico	Snap ring	1	
17	480480	OR Ø 4,48x1,78	O-Ring	2		62	2769200	Prem. testa pompa	Pump head pre-ass.	1	
18	1250280	Sfera	Ball	1		64	480671	Anello tenuta	Seal	1	
19	1560520	Molla	Spring	1		66	180030	Vite TCEI M 8x20	Screw	4	
20	2760230	Iniettore detergente	Detergent injector	1		67	820440	Grano M 6	Grub screw	1	
21	2760270	OR Ø 12x1	O-Ring	1		69	1780590	Albero ecc. cavo	Hollow shaft	1	○
22	1470210	OR Ø 9x1	O-Ring	1			1780600	Albero ecc. cavo	Hollow shaft	1	●
23	2760120	Inserto iniettore	Injector insert	1		70	1780580	Flangia mot.scoppio	Gas engine flange	1	Type F 25
24	2760200	Molla	Spring	1							
25	2760130	Otturatore	Jet	1							
26	1460430	OR Ø 4x2,5	O-Ring	1							
27	801080	Vite TCEI M 6x50	Screw	8							
28	1381550	Rondella	Washer	8							
29	2760020	Testa	Head	1							
30	2760140	Tappo ez-start	Ez-start plug	1							
31	1982240	Sfera	Ball	1							
32	1981800	Molla	Spring	1							
33	2760260	Tappo 1/4" G conico	Plug	2							
34	2760180	Tappo valvola	Plug	3							
35	2769050	Valvola completa	Complete valve	6							
36	2760220	Anello appoggio	Support ring	3							
37	1342761	Guarnizione	Gasket	3							
38	1981580	Anello antiestrusione	Ring	1							
39	1981570	Guida pistone	Piston guide	3							
40	770260	OR Ø 23,52x1,78	O-Ring	3							
41	1260440	Guarnizione	Gasket	3							
42	640070	OR Ø 13,95x2,62	O-Ring	3							

## KIT RICAMBI PART KITS

A=KIT 2186 valvole valves		B=KIT 2187 Ø 15 pistoni pistons		C=KIT 2188 tenute olio oil seals		D=KIT 2189 Ø 15 tenute acqua water seals	
pos.	Q.ty	pos.	Q.ty	pos.	Q.ty	pos.	Q.ty
35	6	51	3	44	3	37	3
				46	1	38	3
				54	1	40	3
				64	1	41	3
						42	3

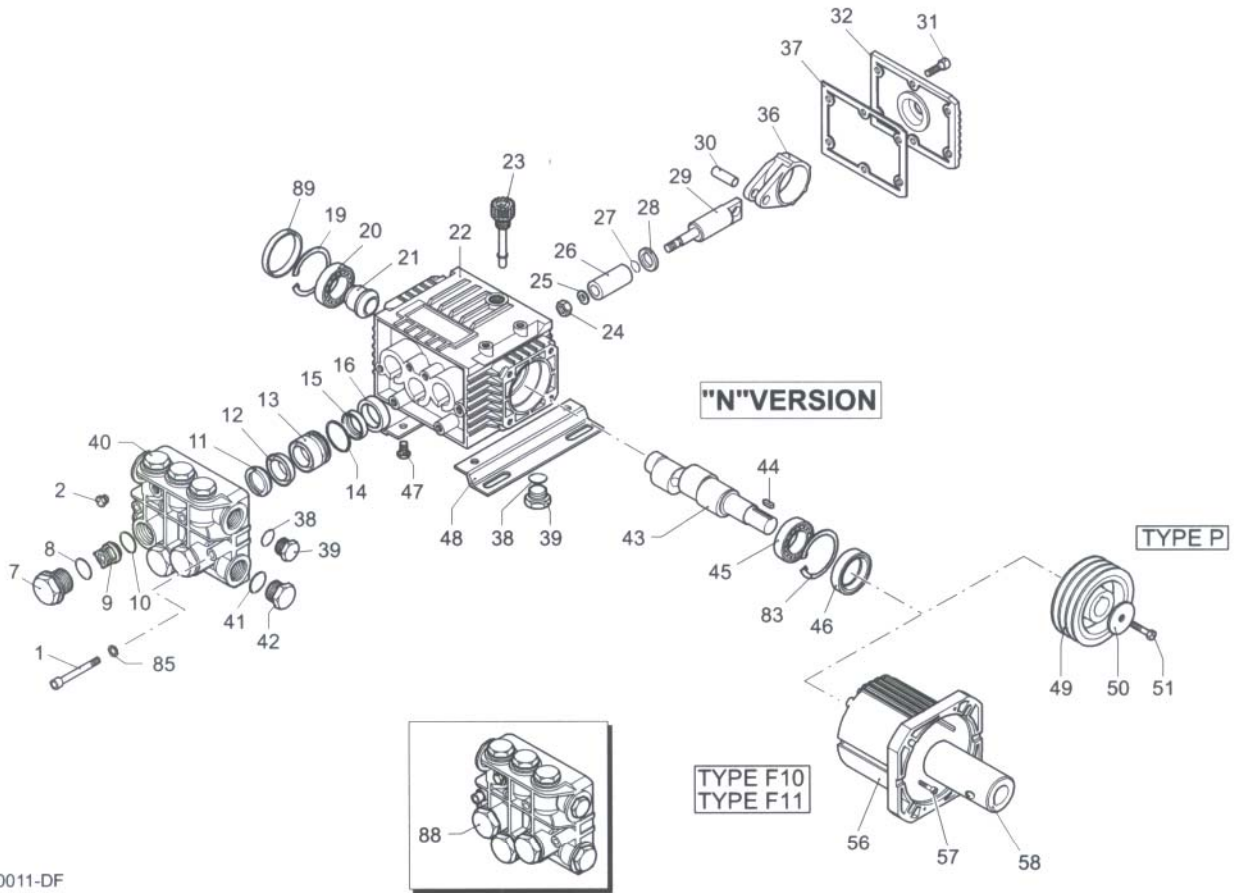
E=KIT 2190 OR O-Rings				F=KIT 2191 Ø 15 anelli appoggio support rings			
pos.	Q.ty	pos.	Q.ty	pos.	Q.ty	pos.	Q.ty
7	1	17	2	36	3		
8	1	18	1				
9	1	19	1				
11	4	21	1				
12	2	22	1				
15	1	26	1				

## LEGENDA :

Ø 15	Ø 15
○ Per / For RSV 2.5 G25	● Per / For RSV 3 G25

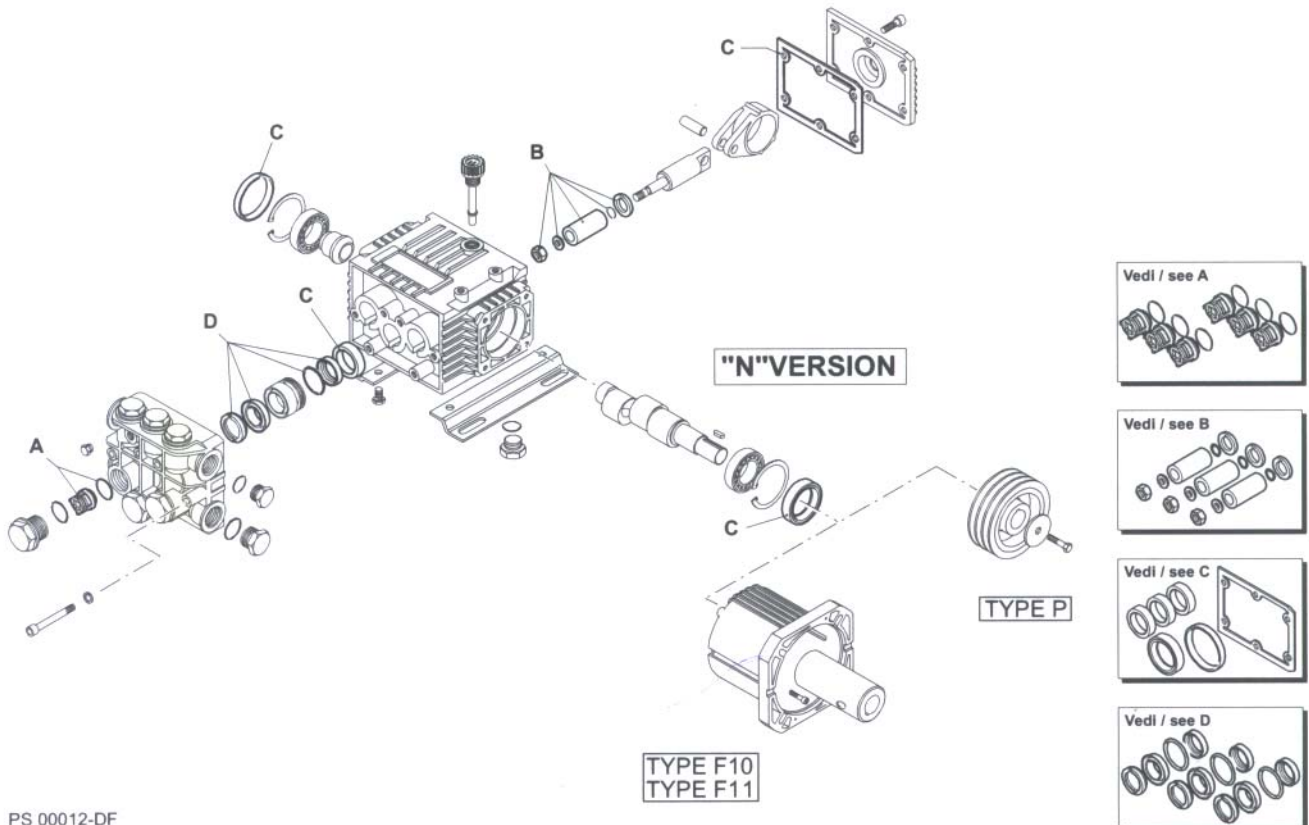
# XT

VERSION **N** 1450 RPM



PS 00011-DF

## KIT RICAMBI / PART KITS



PS 00012-DF

## XT 1450

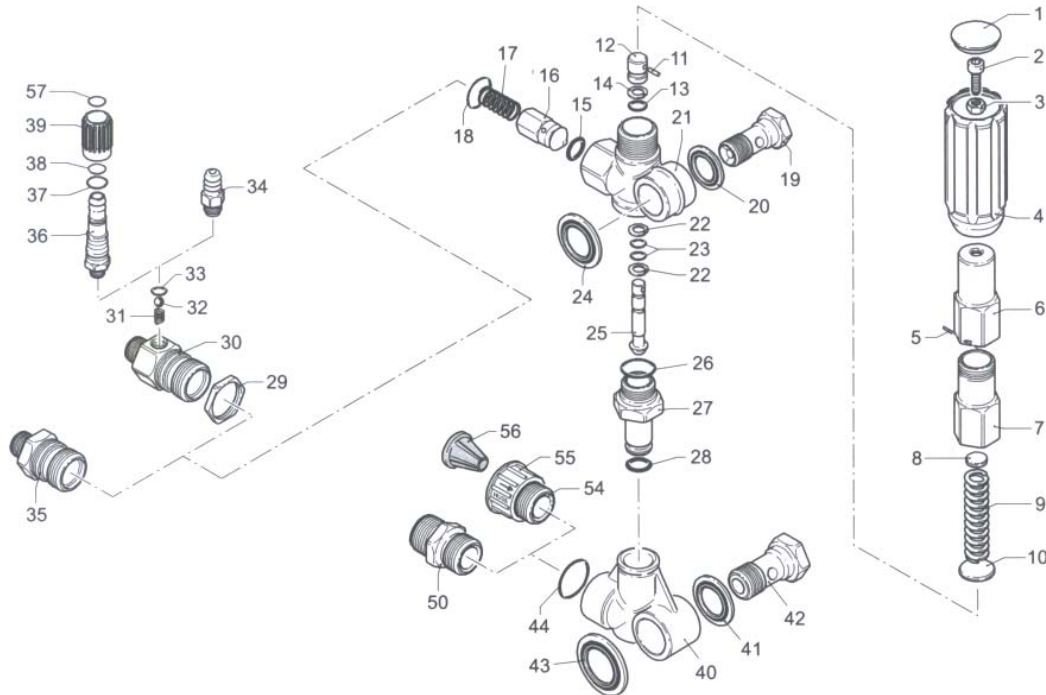
Pos	Code No	Description	Qty	Pos	Code No	Description	Qty
1	AR1322730	Screw	6	40	AR1320020	Pump Head	1
2	AR620301	Plug	1	41	AR180101	O Ring	1
7	AR1260162	Plug	6	42	AR820361	Plug	1
8	AR960160	O Ring	6	43	AR1260200	Crankshaft	1
9	AR1269050	Complete Valve	6	43	AR1320260	Crankshaft	1
10	AR880830	O Ring	6	44	AR1380520	Key	1
11	AR1320340	Support Ring	3	45	AR1320370	Bearing	1
12	AR1260220	Gasket	3	46	AR1260750	Seal	1
13	AR1320351	Piston Guide	3	47	AR1260470	Screw	4
14	AR1260420	O Ring	3	48	AR1263890	Base	2
15	AR1260450	Gasket	3	83	AR1260790	Circlip	1
16	AR1260460	Seal	3	85	AR1381550	Washer	6
19	AR1260790	Circlip	1	88	AR1269222	Pump Head pre-ass	1
20	AR1320370	Bearing	1	89	AR1266740	Cap	1
21	AR1320330	Bushing	1				
22	AR1320010	Pump Housing	1				
23	AR880130	Oil Plug	1				
24	AR1260110	Nut	3				
25	AR1260100	Washer	3				
26	AR1260210	Piston	3				
27	AR480480	O Ring	3				
28	AR1260091	Spacer	3				
29	AR1260070	Guiding Piston	3				
30	AR1260080	Piston Pin	3				
31	AR1260760	Screw	6				
32	AR1269101	Complete Cover	1				
32	AR1320910	Complete Cover	1				
36	AR1260060	Con Road	3				
36	AR1320140	Con Road	3				
37	AR1260040	Gasket	1				
38	AR740290	O Ring	2				
39	AR1980740	Plug	2				

ARKIT1864		ARKIT2629		ARKIT1872	
Valve Kit		Piston Kit		Oil Seal Kit	
Pos	Qty	Pos	Qty	Pos	Qty
9	6	24	3	16	3
10	6	25	3	37	1
		26	3	46	1
		27	3	89	1
		28	3		

ARKIT1874	
Water Seals	
11	3
12	3
14	3
15	3

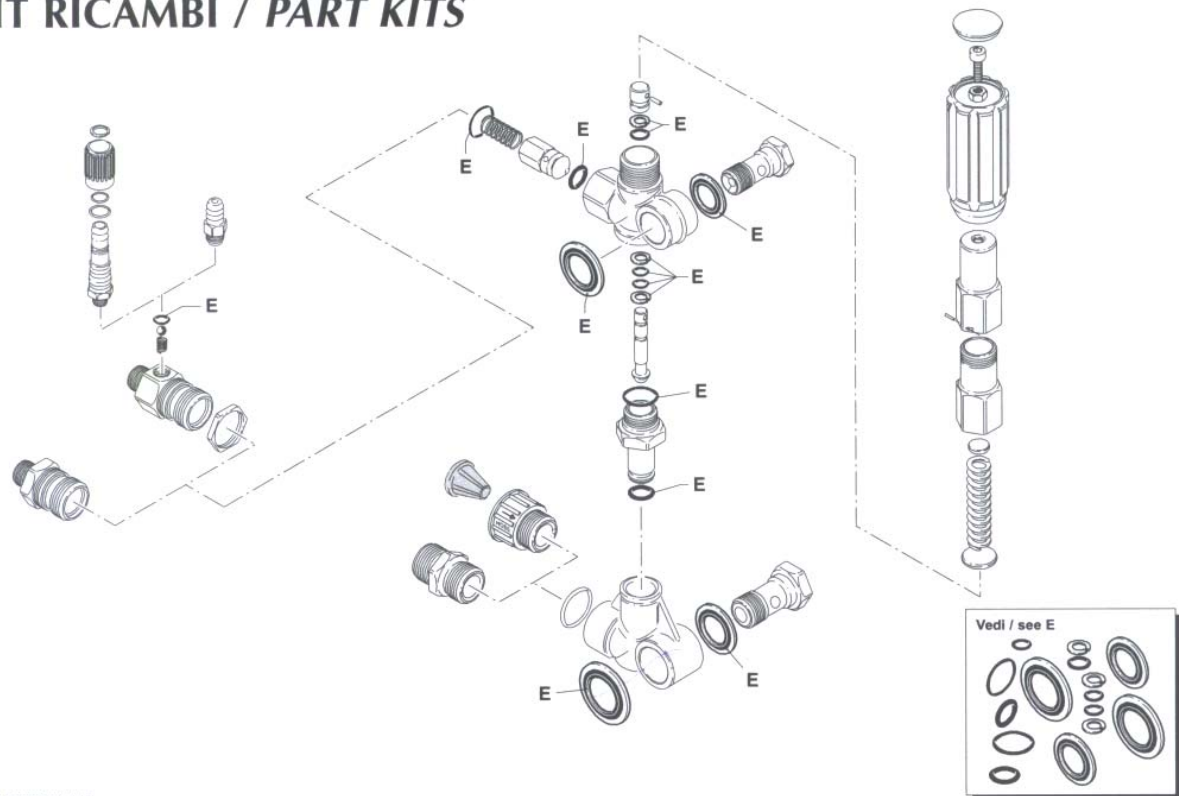


# GYMATIC 3/B



UN000190-HF

## KIT RICAMBI / PART KITS



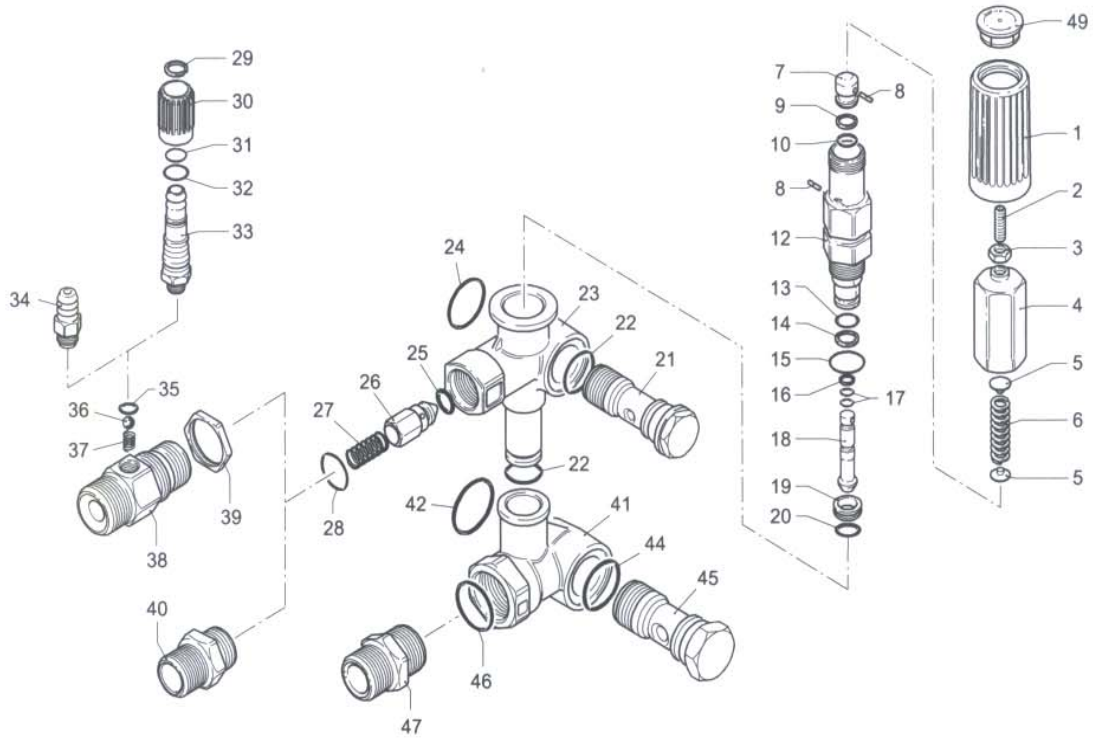
UN000191-HF

<b>GYMATIC 3B</b>							
Pos	Part No	Description	Qty	Pos	Part No	Description	Qty
1	AR1560580	Knob Plug	1	40	AR1540020	Suction Fitting	1
2	AR540290	Screw	1	41	AR1540120	Washer	1
3	AR1660210	Nut	1	42	AR1540090	½" G Fitting	1
4	AR1560400	Handle	1	42	AR1540200	Fitting ½" NPT	1
5	AR1080070	Pin	1	43	AR1560290	Washer	1
6	AR1560420	Adjusting Screw	1	44	AR480440	O Ring	1
7	AR1560410	Spring Guide	1	50	AR1540050	½" Gas Fitting	1
8	AR1560440	Plate	1	54	AR1560310	Fitting	1
9	AR1560350	Spring	1	55	AR1560300	Ring Nut	1
10	AR1080610	Spring Plate	1	56	AR1266330	Filter	1
11	AR1080660	Pin	1				
12	AR1080540	Upper Piston	1				
13	AR391000	O Ring	1				
14	AR1080640	Back up Ring					
15	AR1560150	O Ring					
16	AR1560100	Jet					
17	AR1560140	Spring					
18	AR180101	O Ring					
19	AR1540190	Fitting 3/8" NPT	1				
21	AR1560010	Valve Housing	1				
22	AR1080550	Back up Ring	2				
23	AR480480	O Ring	2				
24	AR1560280	Washer	1				
25	AR1560320	Lower Piston	1				
26	AR880270	O Ring	1				
27	AR1560051	By pass adaptor	1				
28	AR390080	O Ring	1				
29	AR1560510	Nut	1				
30	AR1560530	Fitting G TSS	1				
30	AR1560500	Fitting F	1				
31	AR1560520	Spring	1				
32	AR1250280	Ball	1				
33	AR480480	O Ring	1				
34	AR1560490	Hose Tail	1				
35	AR1560110	Fitting ½" G 3/8" G	1				
35	AR1560111	Fitting ½" G 3/8" G	1				

F = ARKIT 2611

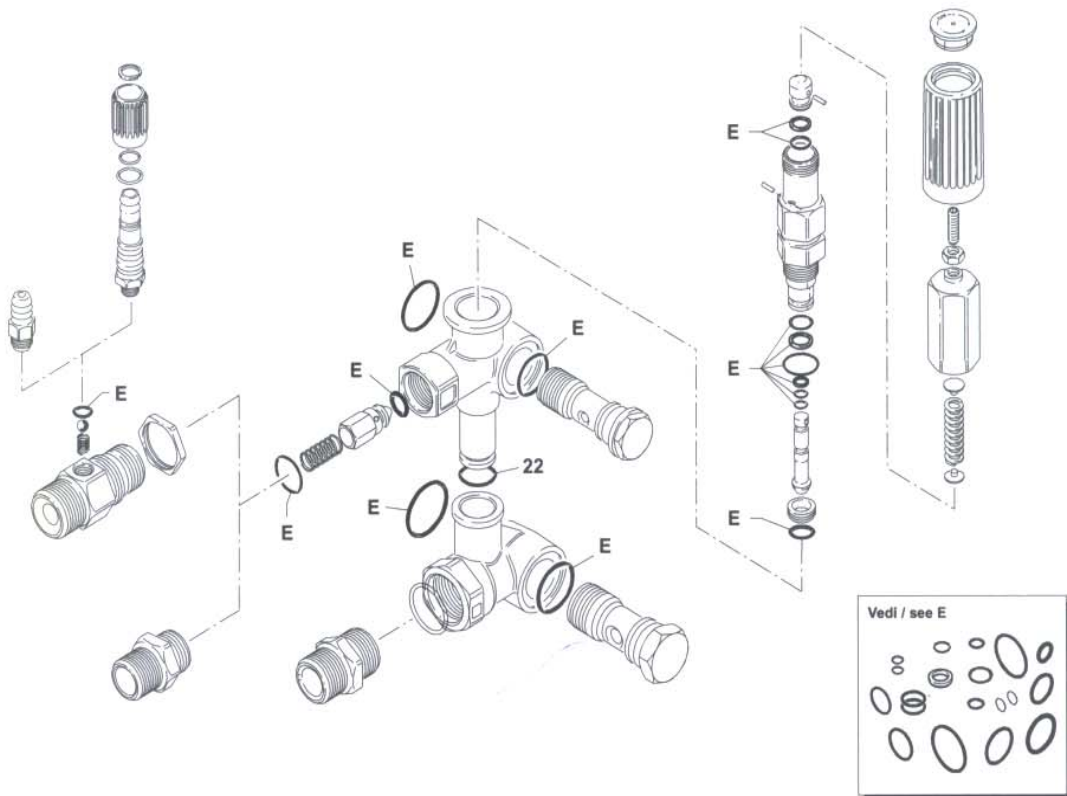
Pos	Qty	Pos	Qty
13	1	24	1
14	1	26	1
15	1	28	2
18	1	33	1
22	2	41	1
23	2	43	1

# MINIMATIC 4/B



UN000186-HF

## KIT RICAMBI / PART KITS



UN000187-HF

# MINIMATIC 4/B



Pos.	Cod. Part n°	Denominazione	Description	Q.tà Q.ty	Note Vedi / See	Pos.	Cod. Part n°	Denominazione	Description	Q.tà Q.ty	Note Vedi / See
1	1981780	Manopola	Handle	1		40	1540180	Niples 3/8" G	Adaptor 3/8" G	1	●
2	1540560	Grano M6x20	Grub	1		41	1540500	Niples 3/8" NPT	Adaptor 3/8" NPT	1	●
3	1980300	Dado M6	Nut	1			1540280	Corpo by-pass	By-pass housing	1	3/8" G
4	1980390	Inserito manopola	Knob insert	1			1540480	Corpo by-pass	By-pass housing	1	3/8" NPT
5	1980220	Piattello molla	Spring plate	2		42	1540630	OR Ø 23,47x2,62	O-Ring	1	
6	1271070	Molla	Spring	1		44	880270	OR Ø 17,17x1,78	O-Ring	1	
7	1080041	Pistone superiore	Upper piston	1		45	1540260	Vite 1/2" G	Thread screw	1	
8	1080070	Spina	Pin	2		46	480440	OR Ø 17,13x2,62	O-Ring	1	Optional
9	1080401	Anello antiest.	Back-up ring	1		47	1540050	Raccordo	Fitting	1	Optional
10	1080250	OR Ø 7,66x1,78	O-Ring	1		49	1981770	Tappo manopola	Knob plug	1	
12	1980210	Guida pistone	Piston Guide	1							
13	740290	OR Ø 14x1,78	O-Ring	1							
14	800560	OR Ø 8,73x1,78	O-Ring	1							
15	880830	OR Ø 15,54x2,62	O-Ring	1							
16	1271170	Anello antiest.	Back-up ring	1							
17	1080190	OR Ø 2,90x1,78	O-Ring	2							
18	1271160	Pistone inferiore	Lower piston	1							
19	1980200	Sede valvola	Valve seat	1							
20	1470210	OR Ø 9x1	O-Ring	1							
21	1540270	Vite 3/8" G	Thread screw	1	Ottone/Brass						
	1540430	Vite 3/8" G Inox	Thread screw	1	Inox/Steel						
22	390080	OR Ø 11,91x2,62	O-Ring	2							
23	1540510	Corpo valvola	Valve housing	1							
24	1140450	OR Ø 20,24x2,62	O-Ring	1							
25	1460430	OR Ø 4x2,5	O-Ring	1							
26	1540170	Otturatore	Jet	1							
27	1080091	Molla	Spring	1							
28	394280	OR Ø 12,42x1,78	O-Ring	1							
29	1560660	Anello	Ring	1	▲						
30	1560680	Manopola reg.det.	Detergent reg. knob	1	▲						
31	480560	OR Ø 6,75x1,78	O-Ring	1	▲						
32	800560	OR Ø 8,73x1,78	O-Ring	1	▲						
33	1560650	Portagomma	Hose tail	1	▲						
34	1560490	Portagomma	Hose tail	1	■						
35	480480	OR Ø 4,48x1,78	O-Ring	1	■▲						
36	1250280	Sfera	Ball	1	■▲						
37	1560520	Molla	Spring	1	■▲						
	1540570	Raccordo 3/8" G	Fitting 3/8" G	1	Ø 2 ■▲						
	1540580	Raccordo 3/8" G	Fitting 3/8" G	1	Ø 2,3 ■▲						
	1540610	Raccordo 3/8" NPT	Fitting 3/8" NPT	1	Ø 2 ■▲						
	1540620	Raccordo 3/8" NPT	Fitting 3/8" NPT	1	Ø 2,3 ■▲						
38	1540300	Controdado	Nut	1	■▲						

## KIT RICAMBI PART KITS

## LEGENDA :

E=KIT 2812 OR O-Rings							
pos.	Q.ty	pos.	Q.ty	pos.	Q.ty	pos.	Q.ty
9	1	17	2	35	1		
10	1	20	1	42	1		
13	1	22	2	44	1		
14	1	24	1				
15	1	25	1				
16	1	28	1				

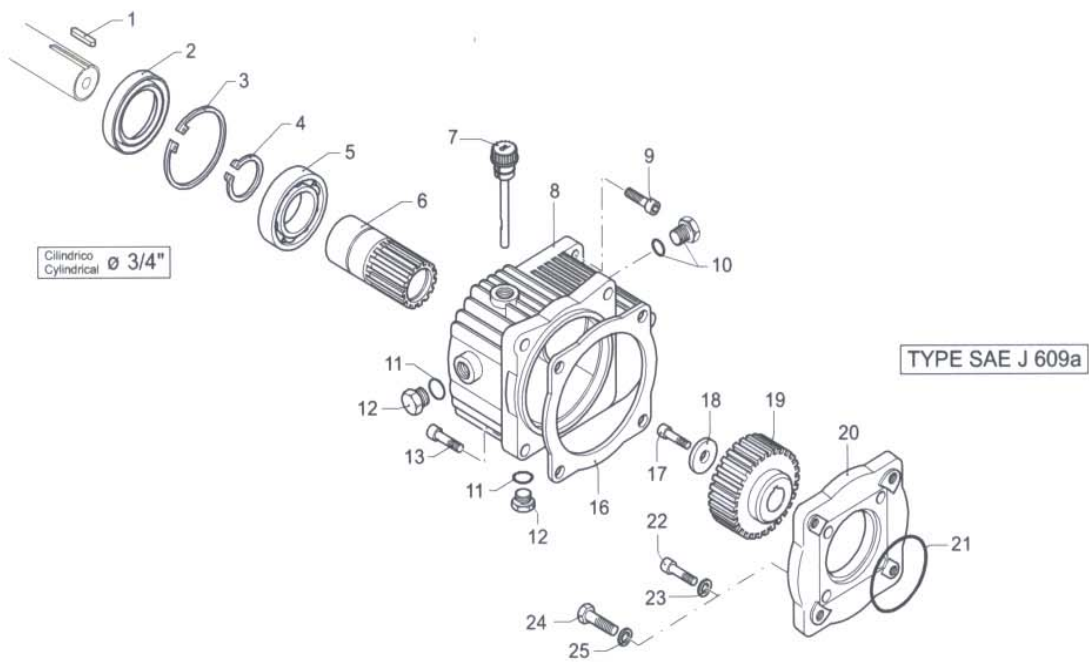
● Per / For  
MINIMATIC 4/B

■ Per / For  
MINIMATIC 4/B+ID

▲ Per / For  
MINIMATIC 4/B+IDR

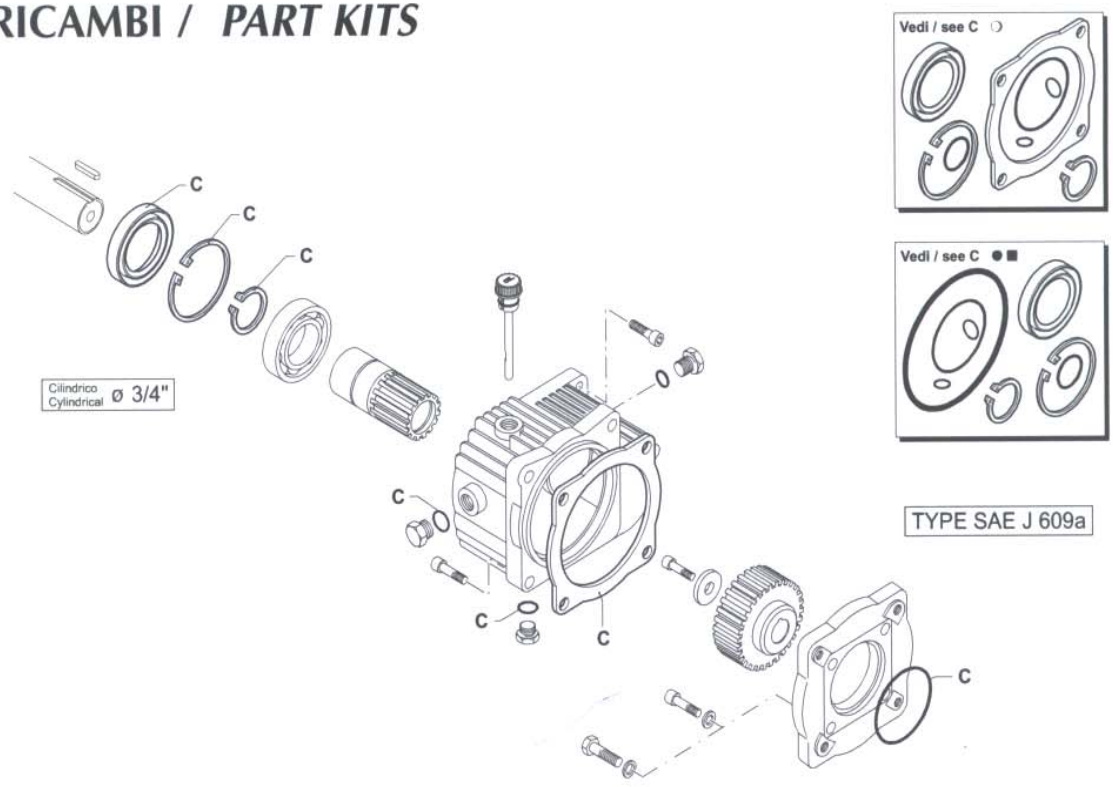
pos.	Q.ty	pos.	Q.ty	pos.	Q.ty	pos.	Q.ty

# CR RIDUTTORE - GEAR BOX



UN000228-HF

## KIT RICAMBI / PART KITS



UN000229-HF

# CR RIDUTTORE - GEAR BOX



Pos.	Cod. Part n°	Denominazione	Description	Q.tà Q.ty	Note Vedi / See	Pos.	Cod. Part n°	Denominazione	Description	Q.tà Q.ty	Note Vedi / See
1	881090	Linguetta	Key	1							
2	961800	Anello tenuta	Seal	1							
3	961790	Seeger Øi 68	Circlip	1							
4	320240	Seeger Øe 40	Circlip	1							
5	961781	Cuscinetto	Bearing	1							
6	1322920	Pignone Ø 3/4"	Pinion	1	Z=23 ● ○						
	1322930	Pignone Ø 3/4"	Pinion	1	Z=21 ■						
7	1140370	Tappo olio + OR	Oil plug + O-ring	1							
8	1320910	Scatola riduttore	Gear box	1							
9	651000	Vite TCEI 5/16"	Screw	4							
10	1980290	Tappo 3/8"	Plug	1							
11	740290	OR Ø 14x1,78	O-Ring	2							
12	1980740	Tappo 3/8"G	Plug	2	Ottone/Brass						
13	160671	Vite TCEI M 10x25	Screw	4							
16	1320990	Guarnizione scatola	Gasket	1	○						
	1520590	OR Ø 107,67x1,78	O-Ring	1	● ■						
17	880280	Vite TCEI M 6x18	Screw	1							
18	780230	Rondella Tenuta	Washer	1							
19	1322940	Ruota dentata	Gear	1	Z=45 ○						
	1321230	Ruota dentata	Gear	1	Z=45 ●						
	1320960	Ruota dentata	Gear	1	Z=47 ■						
20	1320920	Flangia riduttore	Flange	1	○						
	1320930	Flangia riduttore	Flange	1	● ■						
21	650920	OR Ø 53,65x2,62	O-Ring	1	○						
	640030	OR Ø 60x2,62	O-Ring	1	● ■						
22	780330	Vite TCEI M 6x20	Screw	4	○						
23	1341020	Rondella 6x10x1	Washer	4	○						
24	180430	Vite TE M 8x20	Screw	4	● ■ XM-XMA						
	390450	Vite TE M 8x30	Screw	4	● ■ XRC-XRCA						
25	1260100	Rondella 8x13x0,50	Washer	4	● ■						

## KIT RICAMBI PART KITS

C=KIT 2793 ○ tenute olio oil seals		C=KIT 2525 ● ■ tenute olio oil seals					
pos.	Q.ty	pos.	Q.ty	pos.	Q.ty	pos.	Q.ty
2	1	2	1				
3	1	3	1				
4	1	4	1				
11	2	11	2				
16	1	16	1				
21	1	21	1				

pos.	Q.ty	pos.	Q.ty	pos.	Q.ty	pos.	Q.ty

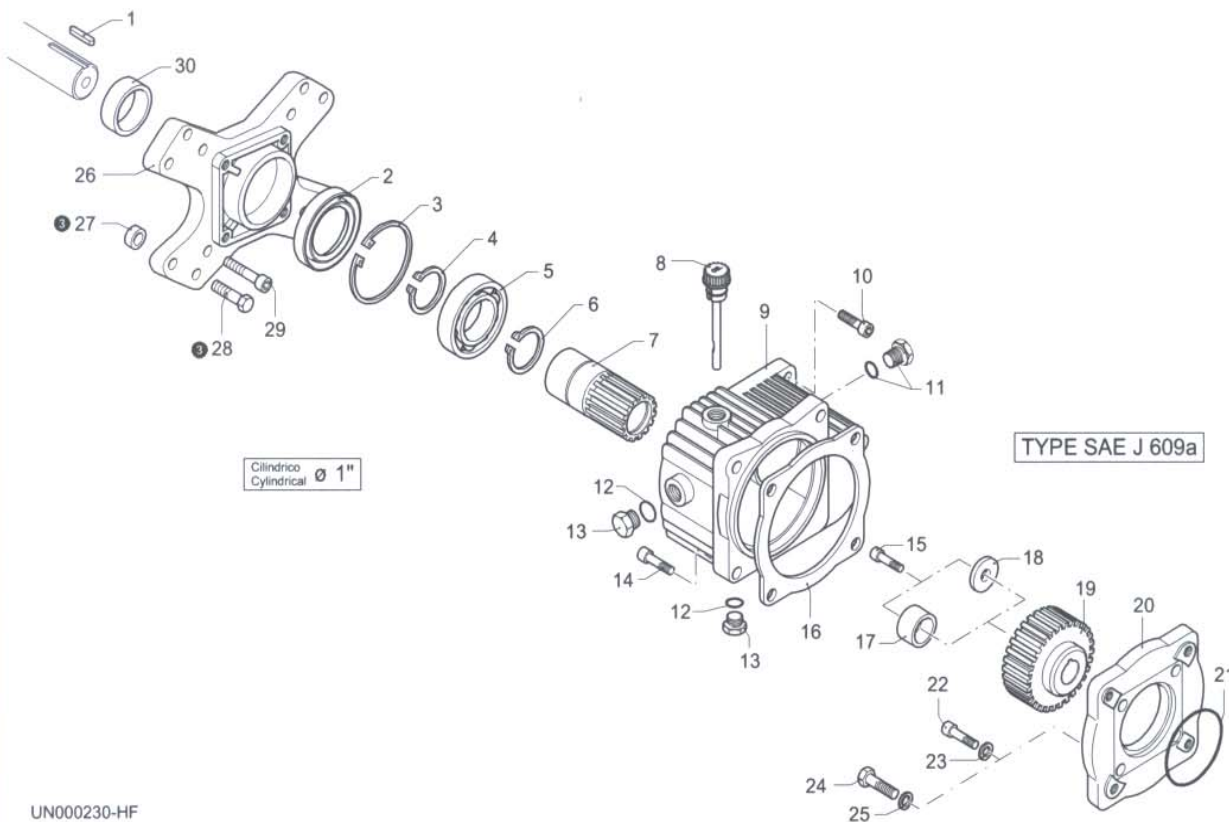
## LEGENDA :

○ Per / For  
COD. 1694  
1:2  
XT/XTA series

● Per / For  
COD. 1692  
1:2  
XM/XMA series  
XRC/XRCAseries

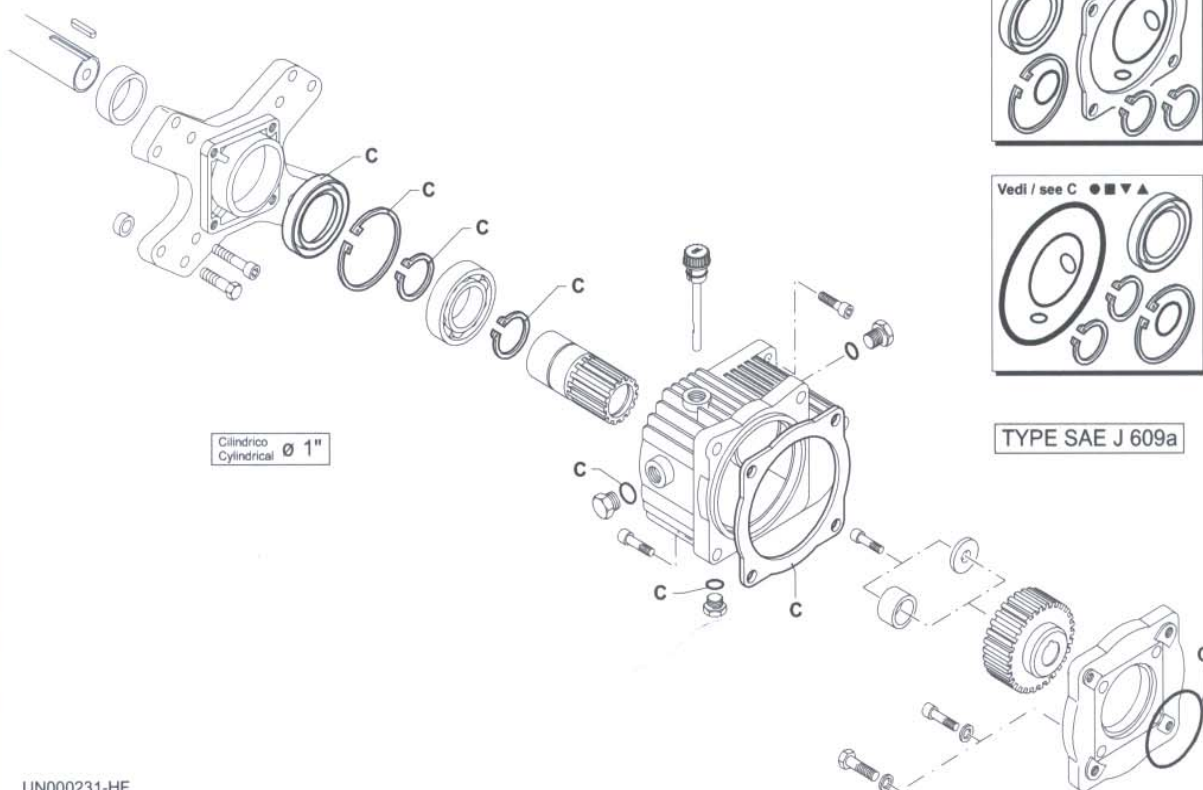
■ Per / For  
COD. 1691  
1:2  
XM series  
XRC series

# CR RIDUTTORE - GEAR BOX



UN000230-HF

## KIT RICAMBI / PART KITS



UN000231-HF

# CR RIDUTTORE - GEAR BOX



Pos.	Cod. Part n°	Denominazione	Description	Q.tà Q.ty	Note Vedi / See	Pos.	Cod. Part n°	Denominazione	Description	Q.tà Q.ty	Note Vedi / See
1	1382510	Chiavetta (8 HP)	Key	1	○ ● ■ ▼ ▲						
	881090	Linguetta (9-18 HP)	Key	1	● ■ ▼ ▲						
2	961800	Anello tenuta	Seal	1							
3	961790	Seeger Øi 68	Circlip	1							
4	320240	Seeger Øe 40	Circlip	1							
5	961781	Cuscinetto	Bearing	1							
6	320240	Seeger Øe 40	Circlip	1	■ ▲						
7	1382420	Pignone Ø 1" Z=23	Pinion	1	○ ● ▼						
	1382430	Pignone Ø 1" Z=21	Pinion	1	■ ▲						
8	1140370	Tappo olio + OR	Oil plug + O-ring	1							
9	1320910	Scatola riduttore	Gear box	1							
10	881940	Vite TCEI M 8x25	Screw	4							
11	1980290	Tappo 3/8"	Plug	1							
12	740290	OR Ø 14x1,78	O-Ring	2							
13	1980740	Tappo 3/8"G	Plug	2	Ottone/Brass						
14	160671	Vite TCEI M 10x25	Screw	4							
15	880280	Vite TCEI M 6x18	Screw	1							
16	1320990	Guarnizione scatola	Gasket	1	○						
	1520590	OR Ø 107,67x1,78	O-Ring	1	● ■ ▼ ▲						
17	1940500	Distanziale	Spacer	1	▼ ▲						
18	780230	Rondella Tenuta	Washer	1	○ ● ■						
19	1322940	Ruota dentata Z=45	Gear	1	○						
	1321230	Ruota dentata Z=45	Gear	1	● ▼						
	1320960	Ruota dentata Z=47	Gear	1	■ ▲						
20	1320920	Flangia riduttore	Flange	1	○						
	1320930	Flangia riduttore	Flange	1	● ■ ▼ ▲						
21	650920	OR Ø 53,65x2,62	O-Ring	1	○						
	640030	OR Ø 60x2,62	O-Ring	1	● ■ ▼ ▲						
22	780330	Vite TCEI M 6x20	Screw	4	○						
23	1341020	Rondella 6x10x1	Washer	4	○						
24	180430	Vite TE M 8x20	Screw	4	● ■ (XM)						
	390450	Vite TE M 8x30	Screw	4	● ■ ▼ ▲						
25	1260100	Rondella 8x13x0,50	Washer	4	● ■ ▼ ▲						
26	1320940	Flangia motore	Motor flange	1							
27	961770	Distanziale	Spacer	4	③						
28	961900	Vite TE 3/8"	Screw	4	③						
29	651000	Vite TCEI 5/16"	Screw	4							
30	1382540	Distanziale	Spacer	1	● ■ ▼ ▲						

③ Per motori italiani / Italian engines only

## KIT RICAMBI PART KITS

C=KIT 2793 ○ tenute olio oil seals				C=KIT 2525 ● ■ ▼ ▲ tenute olio oil seals			
pos.	Q.ty	pos.	Q.ty	pos.	Q.ty	pos.	Q.ty
2	1	21	1	2	1	21	1
3	1			3	1		
4	1			4	1		
6	1			6	1		
12	2			12	2		
16	1			16	1		

pos.	Q.ty	pos.	Q.ty	pos.	Q.ty	pos.	Q.ty

## LEGENDA :

● Per / For  
cod. 1690  
1:2  
XM/XMA series  
XRC/XRCAseries

■ Per / For  
cod. 1689  
1:2,24  
XM series  
XRC series

▼ Per / For  
cod. 1697  
1:2  
XW/XWA series

▲ Per / For  
cod. 1698  
1:2,24  
XW series

○ Per / For  
cod. 1693  
1:2,24  
XT/XTA series



# EC DECLARATION OF CONFORMITY

We **Demon International Ltd**  
Of **Abbots Close, Lee Mill Industrial Estate, Ivybridge, Devon PL21 9GA**

Declare that:

Equipment **High Pressure Water Jet Machines**

Model name/number

Serial number

Conforms to the relevant safety and health related requirements of the appropriate EC Directives. This declaration shall cease to be valid if modifications are made to the machine without our approval.

In accordance with the following EU Directives:

- 73/23/EEC**      **The Low Voltage Directive** – and its amending directives
- 89/336/EEC**    **The Electromagnetic Compatibility Directive** – and its amending directives
- 98/37/EEC**      **The Machinery Directive** – and its amending directives
- 2000/14/EC**     **Noise Directive**

Harmonised Standards Applied:

**EN 292-1 & EN292-2 (now ISO:12100), EN 60335-2-79, EN55014-1, EN55014-2, EN 61000-3-2**

Applied national standards and technical specifications:

**DS EN 60335-2-79**

Applied conformity evaluation method

**Appendix V**

Sound power level dB(A):

	Mini Bowser P1	Mini Bowser P2	Mini Bowser P4	Mini Bowser D1	Storm Mini Bowser 1
Measured	83	83	83	88	80
Guaranteed	84	84	84	89	81

**HAV – All triggers and lances have vibration levels below 2.5 m/s<sup>2</sup>**

I hereby declare that the equipment named above has been designed to comply with the relevant sections of the above referenced specifications. The unit complies with all essential requirements of the Directives.

Signed:  **Martyn Walke**      Authority: *Technical Director*      Date:

**Technical Documentation Address:** Abbots Close, Lee Mill Industrial Estate, Ivybridge, Devon PL21 9GA