

### SAFETY GUIDE Issue No. 5

1. Ensure only trained competent persons operate and use the DESKSURFER and a Risk Assessment has been conducted for Work at Height.
2. Inspect the DESKSURFER before use and have a formal inspection conducted at regular intervals, depending on frequency of use; keep records of each inspection.
3. Do not use if DESKSURFER is damaged, incomplete or improperly assembled.
4. DESKSURFER must be vertical and used on level and firm floors. Should floors/ground be uneven, OPTION 5, Adjustable legs, must be specified and used. Level unit using the bullseye spirit level located on the base frame.
5. Ensure Stabilisers/Outriggers are correctly positioned i.e. V marks are aligned, castors are in contact with the floor and couplers are clamped tight, using firm thumb and finger pressure on the wing nuts.
6. Ensure all castor wheels are in contact with the floor; when DESKSURFER is positioned for use, apply the foot brakes on all 4 outboard (of the desk) castors. Apply all six castor brakes when the DESKSURFER is positioned for use away from desks.
7. Do not raise or lower the mast and platform with a person, or tools and materials, on board the DESKSURFER. Ensure mast latch hooks are engaged on a rung, or stub rungs, before use.
8. Never allow the DESKSURFER winch wire to become slack by over winding the handle in the DOWN direction.
9. Beware of strong wind conditions including the funnelling effect that can occur with open ended buildings etc., Do not use the DESKSURFER if wind speed is likely to exceed 7.7 metres per second, 17mph or Beaufort force 4 (Moderate breeze : dust and paper starts to lift and be blown about).
10. Attach the two safety bars once inside the DESKSURFER guardrailed platform area.
11. Always keep your body within the DESKSURFER guardrailed platform area. Reach out with arms and hands only. Do not stretch.
12. When moving the DESKSURFER, lower the mast and push or pull using manual effort from the base only and without a person or materials on the platform.
13. Beware of all obstructions, especially overhead; also unguarded electrical supply, power lines and cables.
14. Do not overload the DESKSURFER. The maximum Safe Working Load is 150kg (23.5 stone).
15. If in doubt about the safe use of the DESKSURFER, contact the supplier for advice.

### MAINTENANCE RULES

1. Keep equipment clean and inspect before and after use for damage. Use serviceable equipment only.
2. All working parts e.g. castors, legs, mast latch and stabiliser clamps should be lubricated lightly with oil as necessary.
3. Repairs should only be carried out by the supplier or other competent person approved by the supplier.

### SAFE WORKING LOADS

Maximum Safe Working Load: 150kg (23.5 stone).

### EMERGENCY RESCUE

Should a person need rescuing the winch mechanism can be used for lowering the platform, with the person on-board, to the lowest platform height setting of the respective Desksurfer models designated as 42UM or FM, 49FM, 55FM and 60FM. (Model 35 is a low height unit without a winch).

NOTE: The above is a one off procedure and after the emergency rescue, the DESKSURFER must be quarantined (not be used) and returned for a thorough check. This check will include re-aligning the mast; changing the winch wire; inspecting and if necessary changing the winch; checking all fastenings and joints; servicing all moving parts; proof load testing and re-issue of new Certificate of Conformity; signed and dated Service/Inspection label certifying NO Defects. Should your DESKSURFER be used for an emergency rescue as related above, then contact the supplier to arrange collection for the above mentioned thorough check to be carried out.

### WARNING

INJURY OR DEATH MAY RESULT FROM FAILURE TO COMPLY WITH THE DESKSURFER OPERATOR INSTRUCTIONS, SAFETY GUIDE, MAINTENANCE RULES AND SAFE WORKING LOAD.

### COMPLIANCE & CE MARKING

Ability International Limited: BS EN ISO 9001:2008 Registered. Certificate No: 4011767  
safecontractor Accreditation. Certificate No: BQ7332

### MANUFACTURED BY

Ability International Limited. (details on front cover). We reserve the right to change and improve our specifications.

### GUARANTEE PERIOD

3 years from date of delivery and subject to any fault that is genuinely attributable to us.

This page updated August 2015

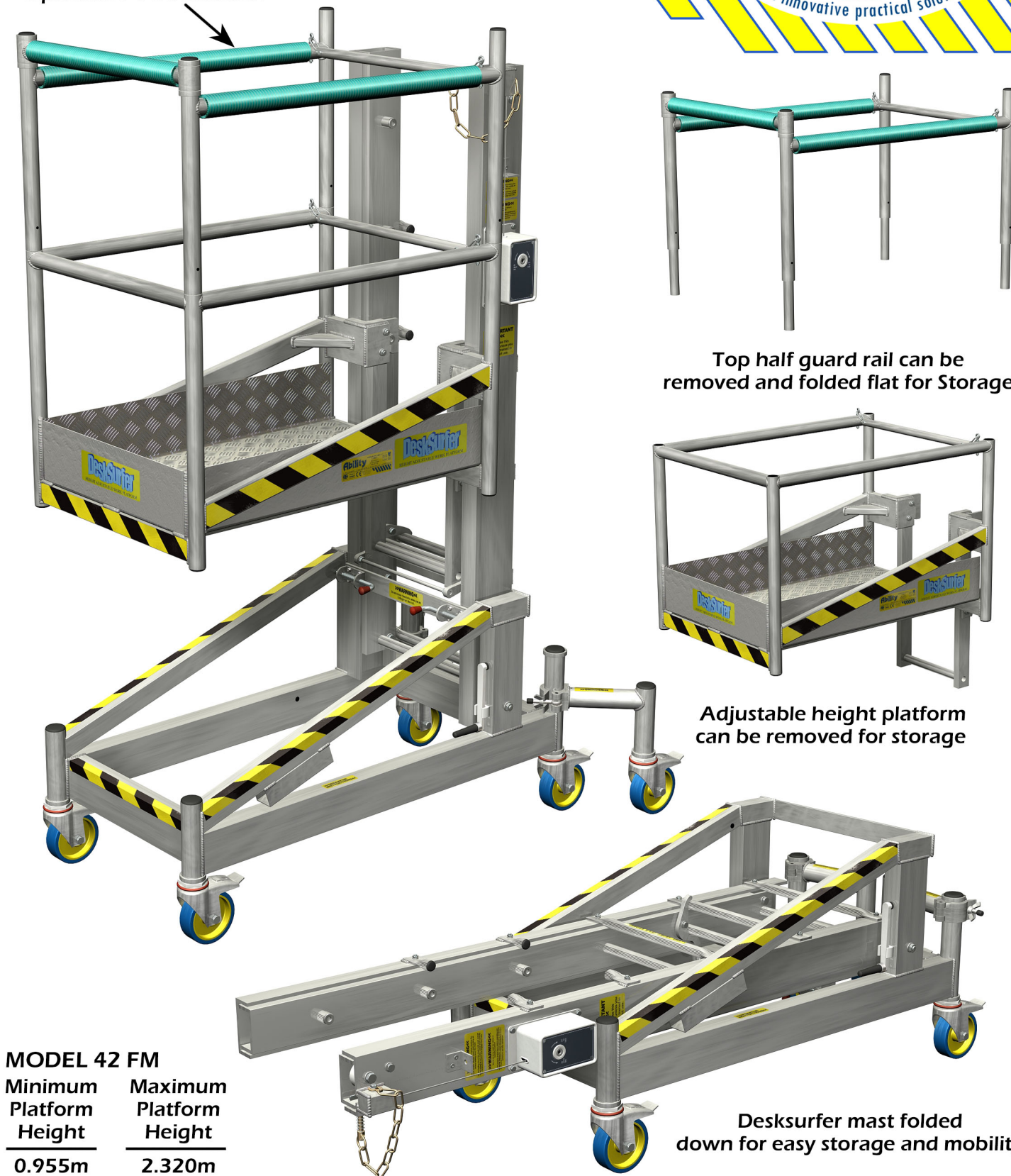
# OPERATOR INSTRUCTIONS

## DEKSURFER (Height Adjustable Work Platform)

### Model 42 FM (Folding Mast)



Optional: PVC Insulation



Top half guard rail can be removed and folded flat for storage

Adjustable height platform can be removed for storage

Desksurfer mast folded down for easy storage and mobility

### MODEL 42 FM

Minimum Platform Height	Maximum Platform Height
0.955m	2.320m



# DESKSURFER Folding Mast Version

## Height adjustable work platform

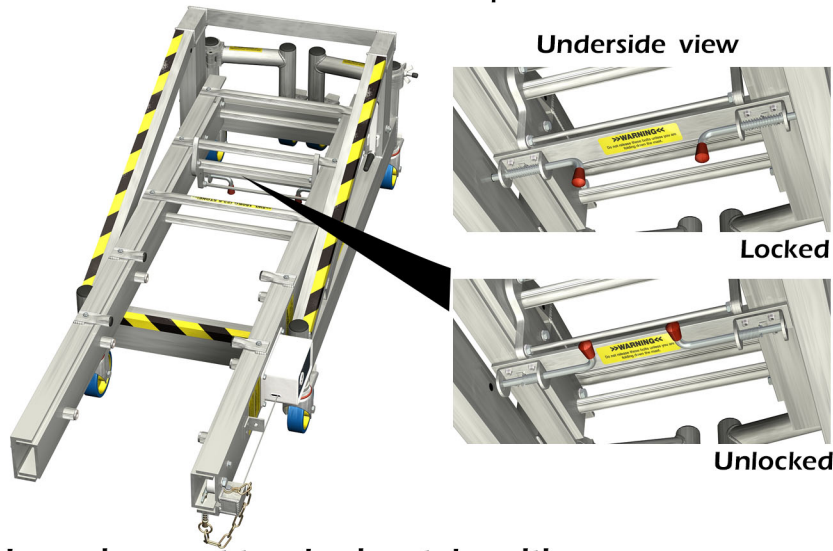
# Model 42 FM



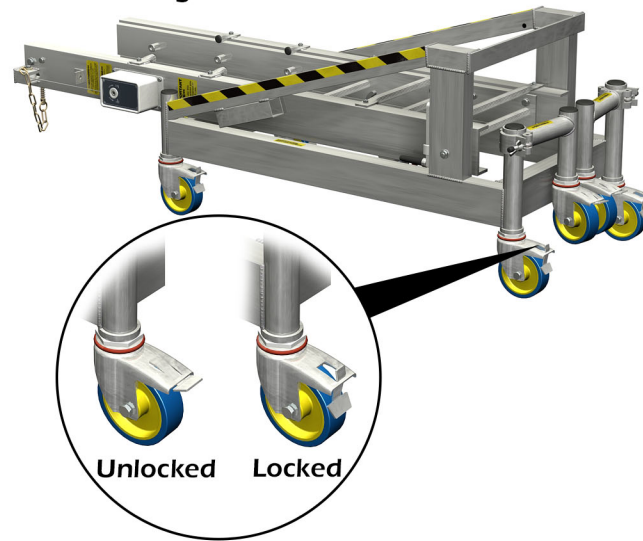
Ensure only trained competent persons operate Desksurfer and a risk assessment has been conducted for work at height

### Raising mast to a vertical position

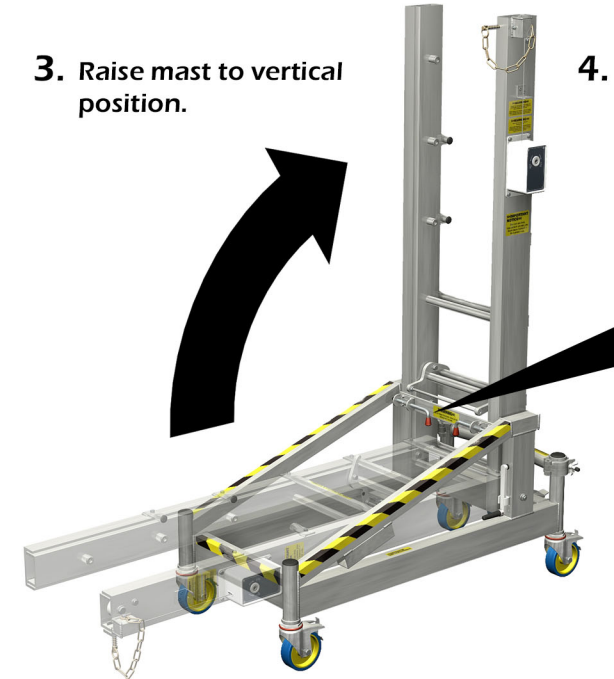
1. Disengage lock bolts on underside of mast and turn 90° to hold in an unlocked position.



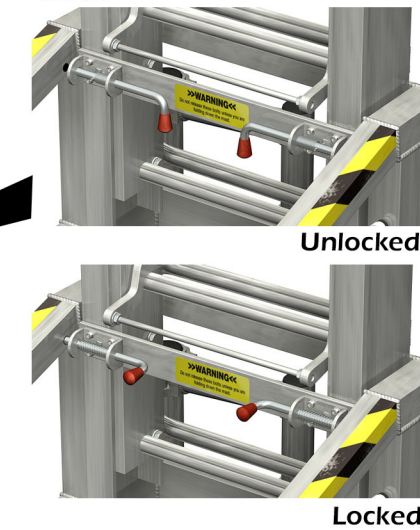
2. Lock foot operated castor brakes before raising mast.



3. Raise mast to vertical position.



4. When mast is in the vertical position hold mast and engage both locking bolts.



5. Remove mast locking pin (at top of mast) before winding the winch handle.

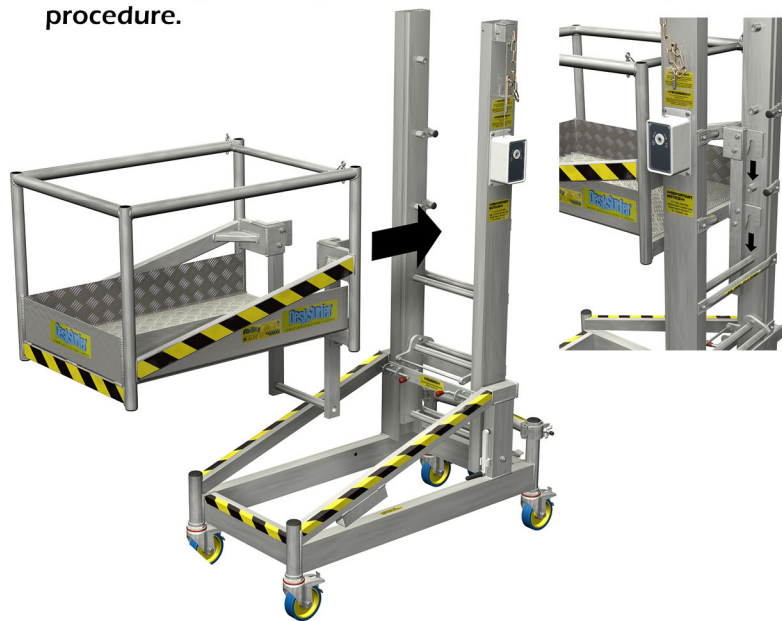


Forward to instruction 6 for rest of operator instructions.

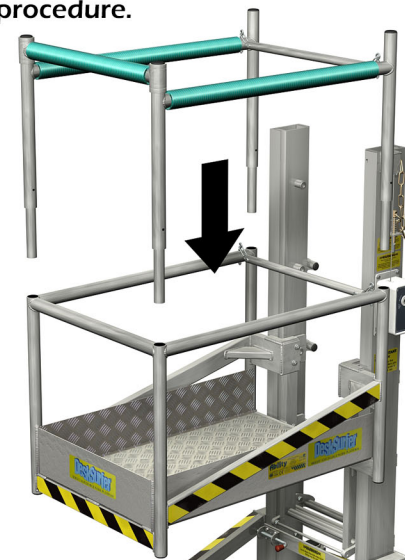
### Lowering mast to a horizontal position

Start by locking foot operated castor brakes. Reverse above instructions and remember before folding down mast: (a) remove platform (b) insert mast locking pin (at top of mast) (c) hold mast upright whilst releasing both lock bolts, then lower mast carefully to the horizontal position and engage both lock bolts on the underside of mast.

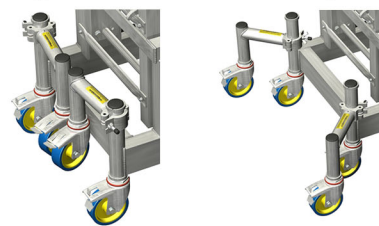
6. Locate platform hooks onto rungs, or stub rungs or both, for obtaining desired platform level. This is a two person procedure.



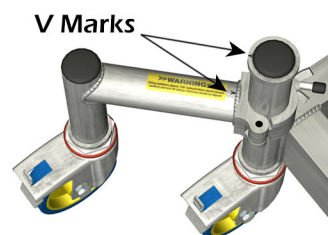
7. Locate top half of guard rail assembly onto bottom half platform guard rail assembly. This is a two person procedure.



8. Couple on the two stabilisers/outriggers. Swing inboard for "stored" position. Swing outboard for "in use" position.



9. Ensure stabilisers/outriggers are correctly positioned for "in use" mode. See that the V marks are correctly aligned and castor wheels are in contact with the floor. Ensure the couplers are tight, using firm thumb and finger pressure on wing nuts.

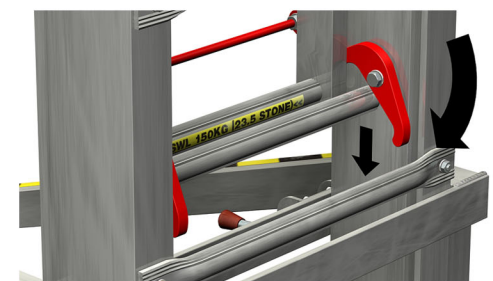


10. To raise mast insert winch handle (stored in base frame) into winch box. Wind handle in UP direction and when at the desired height wind handle in DOWN direction and ensure the mast latch hooks are engaged on a rung or stub rungs.

Note. never allow winch wire to become slack by over winding the handle in the DOWN direction.



10a. To lower mast insert handle (stored in base frame) into the winch box. Wind handle in UP direction until mast latch hooks are clear of the rung or stub rungs, approx 75mm (3"). With one hand tip back the bar (linking the two latch hooks) & with other wind handle in DOWN direction. Ensure the hand holding the bar is clear when the latch hooks pass a rung. Beware of injury from moving parts. Repeat tipping action between rungs. Release bar so mast latch hooks swing forward to engage on desired rung or stub rungs.



11. Before climbing ensure :-

- 1) The Desksurfer is correctly positioned.
- 2) The platform is level.
- 3) The four (4) outboard castors are locked/braked.
- 4) The stabilisers/outriggers are correctly positioned for "in use" mode. See instruction 9.

12. Once on the platform ensure the two (2) safety bars are hooked across the platform opening.



13. Always keep your body within the guardrailed platform area. Reach out with arms and hands only. Do not stretch.

14. Do not overload the DESKSURFER the maximum safe working load is 150kg (23.5 stone).

See Safety Guide, Maintenance Rules, Emergency Rescue and Warning on Back page.

### Optional extras

1. Folding mast.



2. Seat/Tool tray.



3. Ribbed rubber insulating platform mat.



4. PVC insulation on top horizontal handrail tubes.



5. Adjustable legs with 75mm of adjustment.

